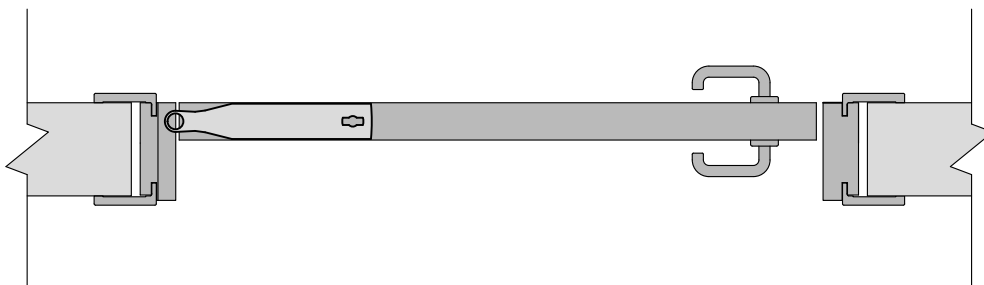


ERGON[®] S40

LIVING

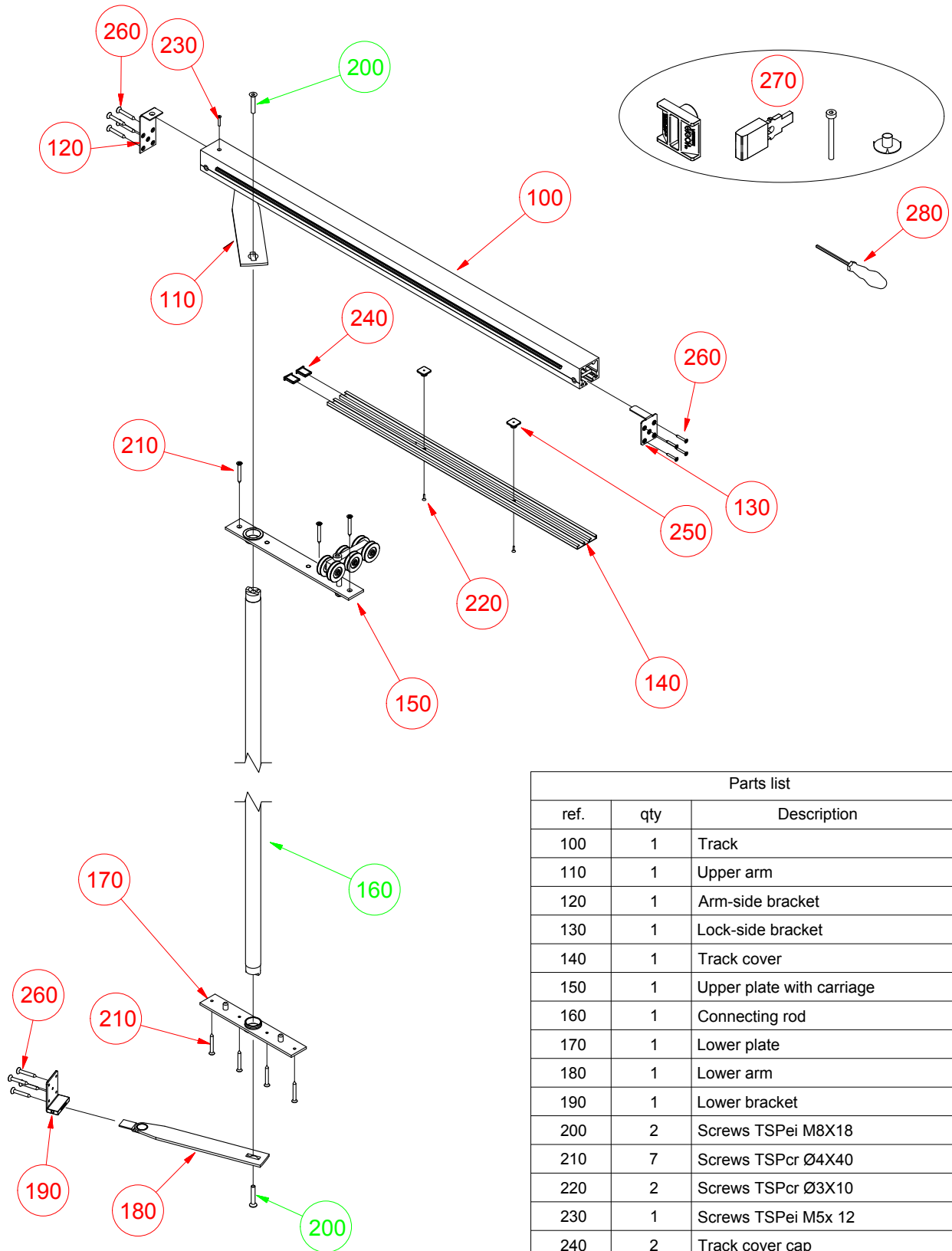
technical construction and installation manual swinging sliding door with connecting rod in the door leaf



INDEX

Exploded view of the hardware	page 3
Introduction	page 4
Frame specification	page 5
Single door horizontal dimension diagram	page 6
Double door horizontal dimensional diagram (Ergon door leaf and rabbet door)	page 7
Double door horizontal dimensional diagram (double Ergon door leaves)	page 8
Vertical dimensional diagram	page 9
Managing wall thickness	page 10
Working door leaf specification	page 11
Exploded view of the frame (<u>jamb with doorpost</u>)	page 12
Details for vertical frame (<u>jamb with doorpost</u>)	page 13-14
Exploded view of the frame (<u>straight frame</u>)	page 15
Details for vertical frame (<u>straight frame</u>)	page 16
Details for the upper crossbeam	page 17
Track adjustment to the width not standard	page 18
Rod kit shortnable	page 19
Kit union tracks for edoor with two door leaves with Ergon living system	page 20-21
Magnetic strker plate for "Push&Go EVO"	page 22
Assembling the hardware in the door leaf	page 23
Assembly frame to track	page 24
Complete door jamb installation	page 25
Door leaf installation	page 26
Adjusting door leaf and door jamb	page 27
"Soft Opening" installation (optional)	page 28-29
Frames and track cover installation	page 30

EXPLODED VIEW OF THE HARDWARE



Parts list		
ref.	qty	Description
100	1	Track
110	1	Upper arm
120	1	Arm-side bracket
130	1	Lock-side bracket
140	1	Track cover
150	1	Upper plate with carriage
160	1	Connecting rod
170	1	Lower plate
180	1	Lower arm
190	1	Lower bracket
200	2	Screws TSPei M8X18
210	7	Screws TSPcr Ø4X40
220	2	Screws TSPcr Ø3X10
230	1	Screws TSPei M5x 12
240	2	Track cover cap
250	2	Track cover installation insert
260	12	Screws TSPcr Ø3,5x30
270	1	Mediana evolution lock set
280	1	Hexagonal screwdriver mm 2,5

■ Component present in the track kit

■ Component present in the rod kit

INTRODUCTION

ERGON LIVING S40 hardware is designed to be applied only on hollow-cored panels, for internal doors for interior residential use, that are at least 40 mm thick and weight no more than 70 kg.

To guarantee reliability and convenience of use, by now tested over time on many thousands of manufactured models, the components used come from the already tested ERGON Community model. The ERGON system have passed rigorous durability tests on repeated opening and closing (100,000 cycles) in accordance with the European standard EN 1191/00 at the CATAS research and development laboratory.

Since the connection rod is inside the door leaf and not in the door jamb, standard jambs can be used with the ERGON LIVING S40 version, by doing some simple work as indicated in this manual.

The standard finishes offered for the ERGON LIVING S40 version are silver and black, and, in order to reduce to a minimum the impediments of the door leaf during movement, three different types of arm are offered:

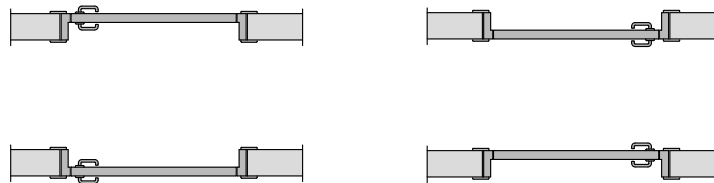
- "Base" particularly suitable for *LFM (wall hole opening)* from 800 to 1100 mm;
- "Small" particularly suitable for *LFM (wall hole opening)* from 610 to 800 mm;
- "Large" particularly suitable for *LFM (wall hole opening)* from 1100 to 1450mm.

According to specific requirements, with the ERGON LIVING S40 hardware, the door can be made in such a way that, as regards the thickness of the wall, the door leaf can be installed in any position. However, to simplify the explanation, the two extreme positions are described by using the terminology found in this manual:

1) "**centered door**" *when the panel is positioned in the centre of the wall;* this solution offers the advantage that the construction of the door is independent of its installation because, since the door is centered and can be opened in both ways, the installation orientation could even be decided at the time of installation without making any modifications to the door;



2) "**oriented door**" *when the panel is placed near one of the two sides of the wall;* in this case the construction of the door must consider how it will be installed and therefore its orientation.



With reference to the passage widths the ERGON LIVING S40 version is offered in various standard sizes for each type (*Base, Small, Large*). However, if a suitable type is used, intermediate sizes can also be obtained by shortening the track and the track cover (page 18).

As regards the actual passage height, fixed-size are offered, if different sizes from the standard ones offered are necessary, a special kit can be ordered with which, by shortening the connection rod (page 19), the required size can be obtained.

FRAME SPECIFICATION

With **ERGON LIVING S40** two types of frames can be used: **jamb with doorpost** and **straight jamb**.

JAMB WITH DOORPOST

- 1) Furthermore it allows a production standard, as it makes it possible to manage both small and large wall thickness (up to 74 cm with door positioned in the centre of the wall thickness).
Moreover, the jamb can be placed indistinctly on the right or left side of the doorpost; in this way, it can be used for internal, external or central flush doors.
The adjacent doorpost, even if simple, is an extra element that must be constructed.
- 2) A suitably modified Mediana Evolution lock, using simple pressure to substitute the standard spring lock with the **ERGON** lock (presente su ogni confezione di ferramenta), allows the door to close similarly to a door with a rabbet. A magnetic lock can be used too.

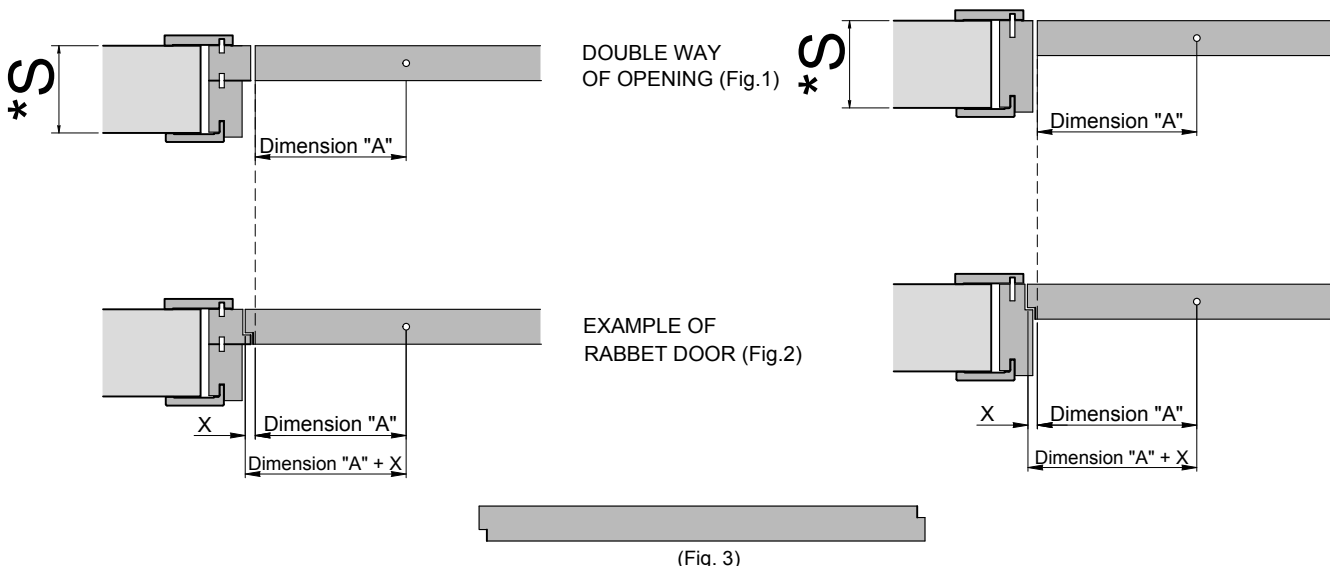
STRAIGHT JAMB

- 1) It's possible to use a simple flat casing., normally used to cover the wall where installation of a door was not previously planned.
- 2) Makes it necessary to use a magnetic lock which is functional only if the door is not more than 3 mm from the frame.
The doo jamb near the lock is visually appealing in that no element of the lock or its release is visible.

* The movement of the door leads to having limits in the thickness of the walls which may vary depending on the type of frame used or on the type of bracket used (BASE, SMALL, LARGE); on page 10 there are some solutions to manage these limits in the best way possible.

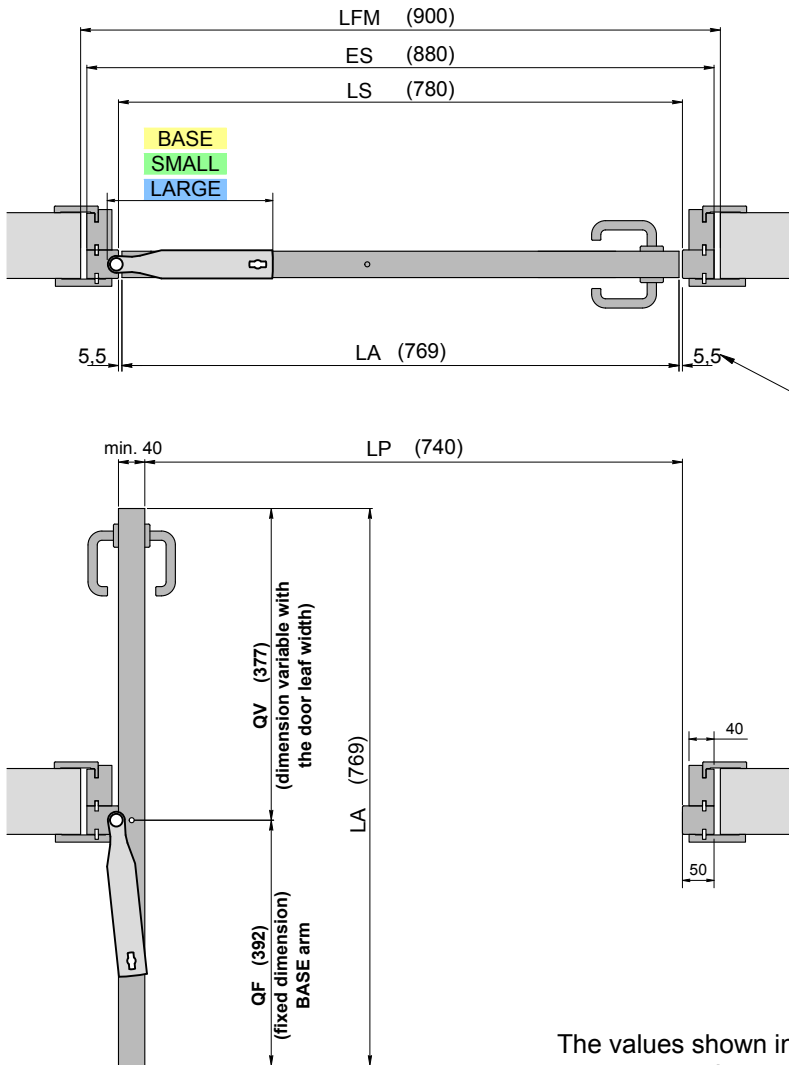
RABBET DOOR WITH ONE-WAY OPENING

In some rooms of the house, it may be appropriate to use doors with stops, with the **ERGON** system; this is possible by simply creating stops in the vertical sides of the door using the same kit.
In this way there's not more the double-way opening, but there is a better acoustic isolation inside the room by using a seal for the tightness.
With the **ERGON** system with one-way opening, any type of lock can be used.
Fig. 2 below shows a constructive example of an **ERGON** door with stop; to create the stops both on the door and on the frame, they must be specular (fig. 3) and it is necessary to pay attention to value "X" which must be added to value "A", indicated on page 11 of this manual, to keep the panel connection rod insertion point in the exact position.

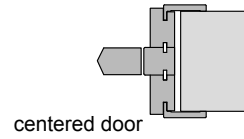


SINGLE DOOR HORIZONTAL DIMENSION DIAGRAM

(example dimensional)



The door leaf can be positioned at the centre with respect to the thickness of the wall.

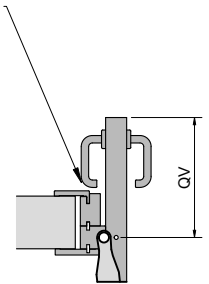


centered door
See page 10 for information on managing wall thickness.

If a magnetic lock is used, it is recommended to reduce the gap to 3 mm on this side only.

ATTENTION:

On doors with reduced widths the handle may collide with the jamb. Pay attention to the dimensions of the handle, door leaf and wall thickness.



The values shown in this table refer to a door with frame thickness 50 mm and door leaf thickness 45 mm; if a flat frame with a thickness of 40 mm is used, the LP, LA, LS and QV values are increased by 20 mm.

	LARGE	BASE	SMALL	WIDTH DIMENSION				
				LFM WALL HOLE WIDTH	LP PASSAGE DIMENSION	LA DOOR LEAF WIDTH	QF FIXED DIMENSION	QV VARIABLE DIMENSION
			●	610	450	479	295	174
			●	650	490	519	295	224
Minimum dimension for "Soft Opening" SMALL arm			●	700	540	569	392	295
			●	750	590	619	392	295
Minimum dimension for "Soft Opening" BASE arm		●	●	800	640	669	392	295
		●	●	850	690	719	392	327
		●	●	900	740	769	392	377
		●	●	950	790	819	392	427
		●	●	1000	840	869	392	477
		●	●	1050	890	919	392	527
Minimum dimension for "Soft Opening" LARGE arm	●	●	●	1100	940	969	620	392
	●	●	●	1150	990	1019	620	399
	●	●	●	1200	1040	1069	620	449
	●	●	●	1250	1090	1119	620	499
	●	●	●	1300	1140	1169	620	549
	●	●	●	1350	1190	1219	620	599
	●	●	●	1400	1240	1269	620	649
	●	●	●	1450	1290	1319	620	699

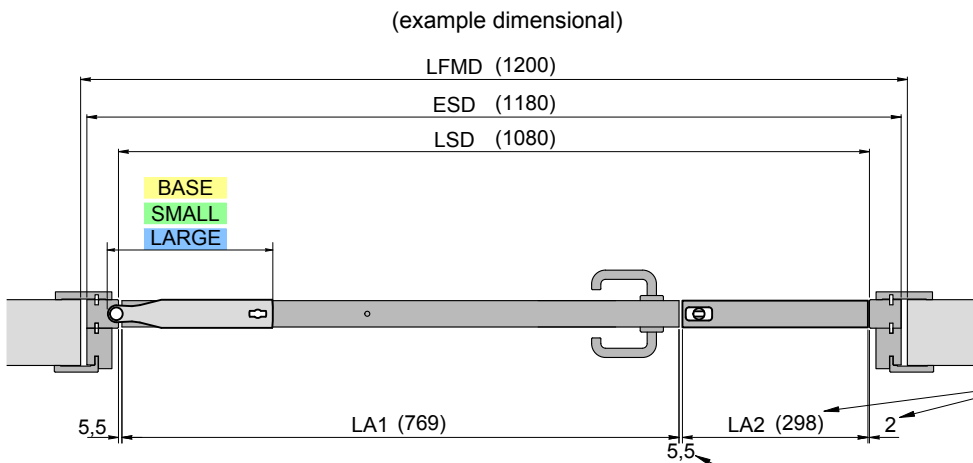
LEGEND

- LFM** = WALL HOLE WIDTH
- LP** = PASSAGE DIMENSION (LFM - 160)
- LA** = DOOR LEAF WIDTH (LFM - 131)
- LS** = DOOR JAMB OPENING (LFM - 120)
- ES** = OUTER JAMB (LFM - 20)
- QF** = FIXED DIMENSION ENCUMBRANCE ARM-SIDE
- QV** = VARIABLE DIMENSION ENCUMBRANCE HANDLE-SIDE

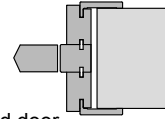
- = Available standard dimensions
- = Several examples of dimensions that can be obtained by shortening the track. Intermediate dimensions are also possible.

For other custom dimensions, contact Celegon in regards to feasibility.

DOUBLE DOOR HORIZONTAL DIMENSIONAL DIAGRAM (ERGON DOOR LEAF AND RABBET DOOR)



The door leaf can be positioned at the centre with respect to the thickness of the wall.

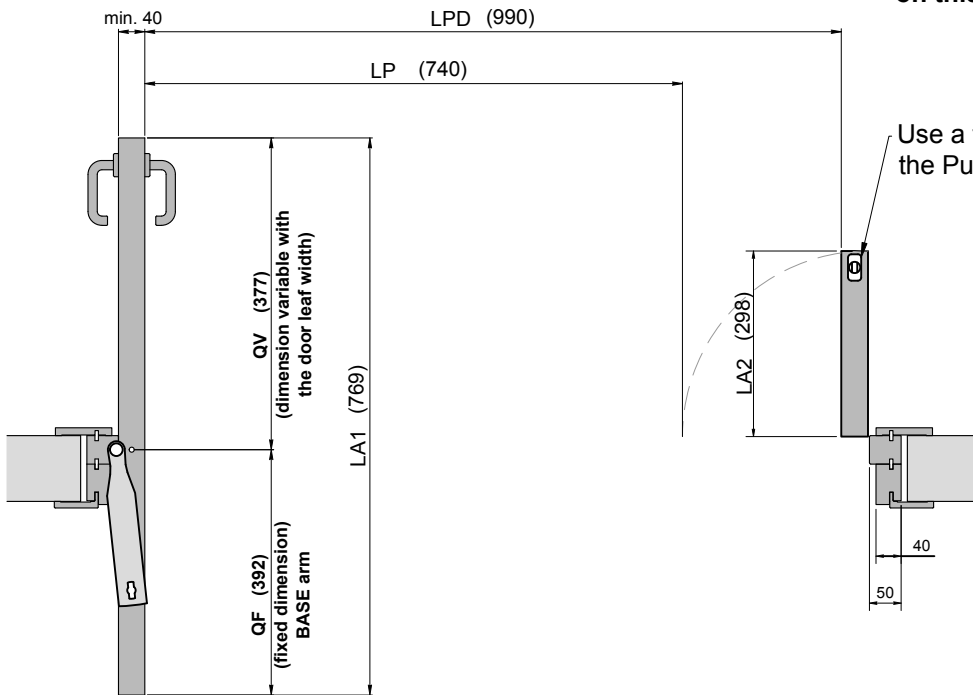


centered door

See page 10 for information on managing wall thickness.

Variable dimensions depending on type of hinge used.

If a magnetic lock is used, it is recommended to reduce the gap to 3 mm on this side only.



Use a traditional latch or the Push&Go EVO system (see page 22).

The values shown in this table refer to a **door with frame thickness 50 mm and door leaf thickness 45 mm**, if a flat frame with a thickness of 40 mm is used, the LP and LS values increase by 20 mm and the LA and QV values increase by 10 mm.

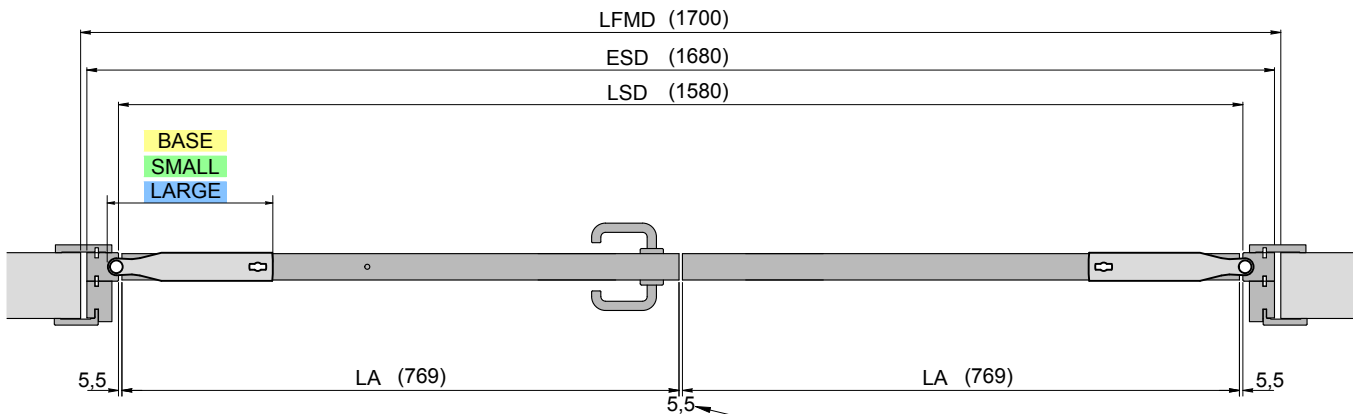
When ordering hardware, the dimensions of the wall opening (LFMD) and the type of arm that will be used must be provided. A custom track kit will be supplied based on the dimensions provided.

LEGEND

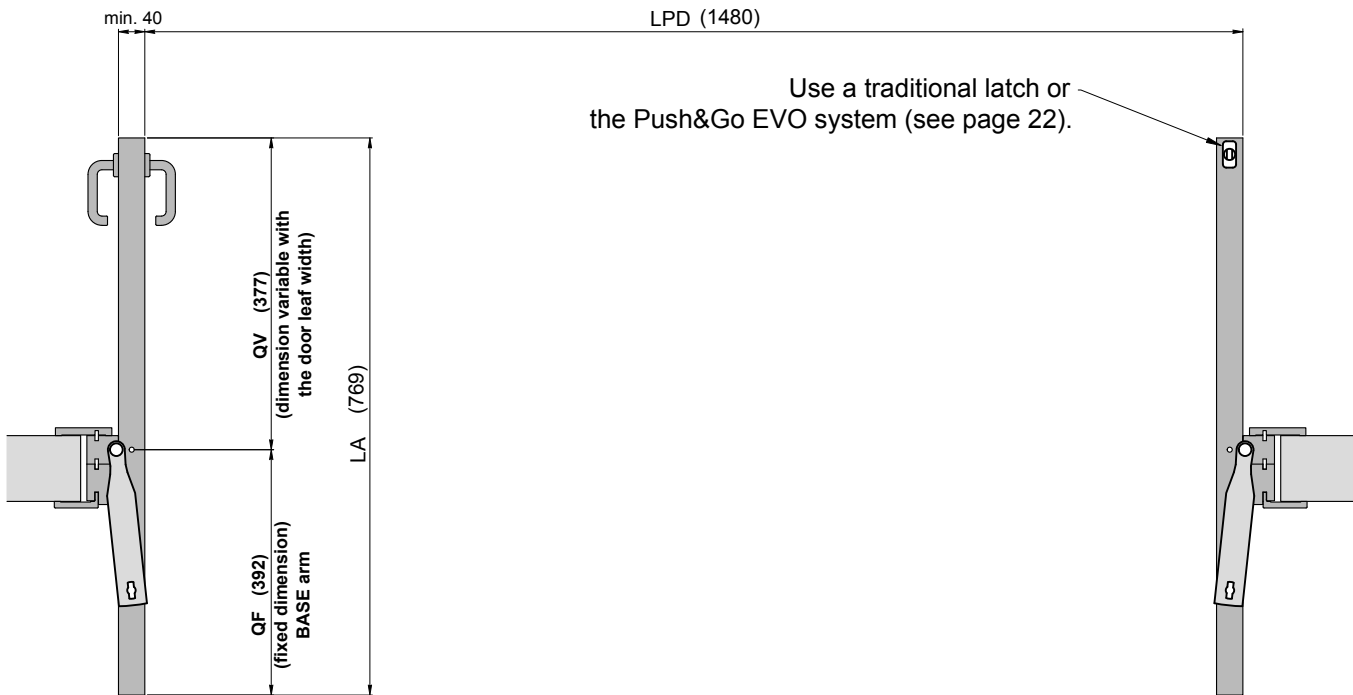
- LFMD** = WALL HOLE WIDTH
- LPD** = PASSAGE DIMENSION (LFMD - 210)
- LA1** = DOOR LEAF WIDTH (see table on page 5)
- LA2** = DOOR LEAF WIDTH (LFMD - LA1 - 133 variable depending on door leaf LA1 dimensions and type of hinge used)
- LSD** = DOOR JAMB OPENING (LFMD - 120)
- ESD** = OUTER JAMB (LFMD - 20)
- QF** = FIXED DIMENSION ENCUMBRANCE ARM-SIDE (see table on page 5 based on type of arm used)
- QV** = VARIABLE DIMENSION ENCUMBRANCE HANDLE-SIDE (see table on page 5 based on type of arm used and the dimensions of door leaf LA1)

DOUBLE DOOR HORIZONTAL DIMENSIONAL DIAGRAM (TWO ERGON DOOR LEAVES)

(example dimensional)



If a magnetic lock is used, it is recommended to reduce the gap to 3 mm on this side only.



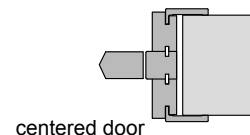
The values shown in this table refer to a **door with frame thickness 50 mm and door leaf thickness 45 mm**, if a flat frame with a thickness of 40 mm is used, the LP and LS values increase by 20 mm and the LA and QV values increase by 10 mm.

In this case, it is possible to use track kits for single doors in combination with the dedicated union kit. For specifications, see pages 20-21-22.

LEGEND

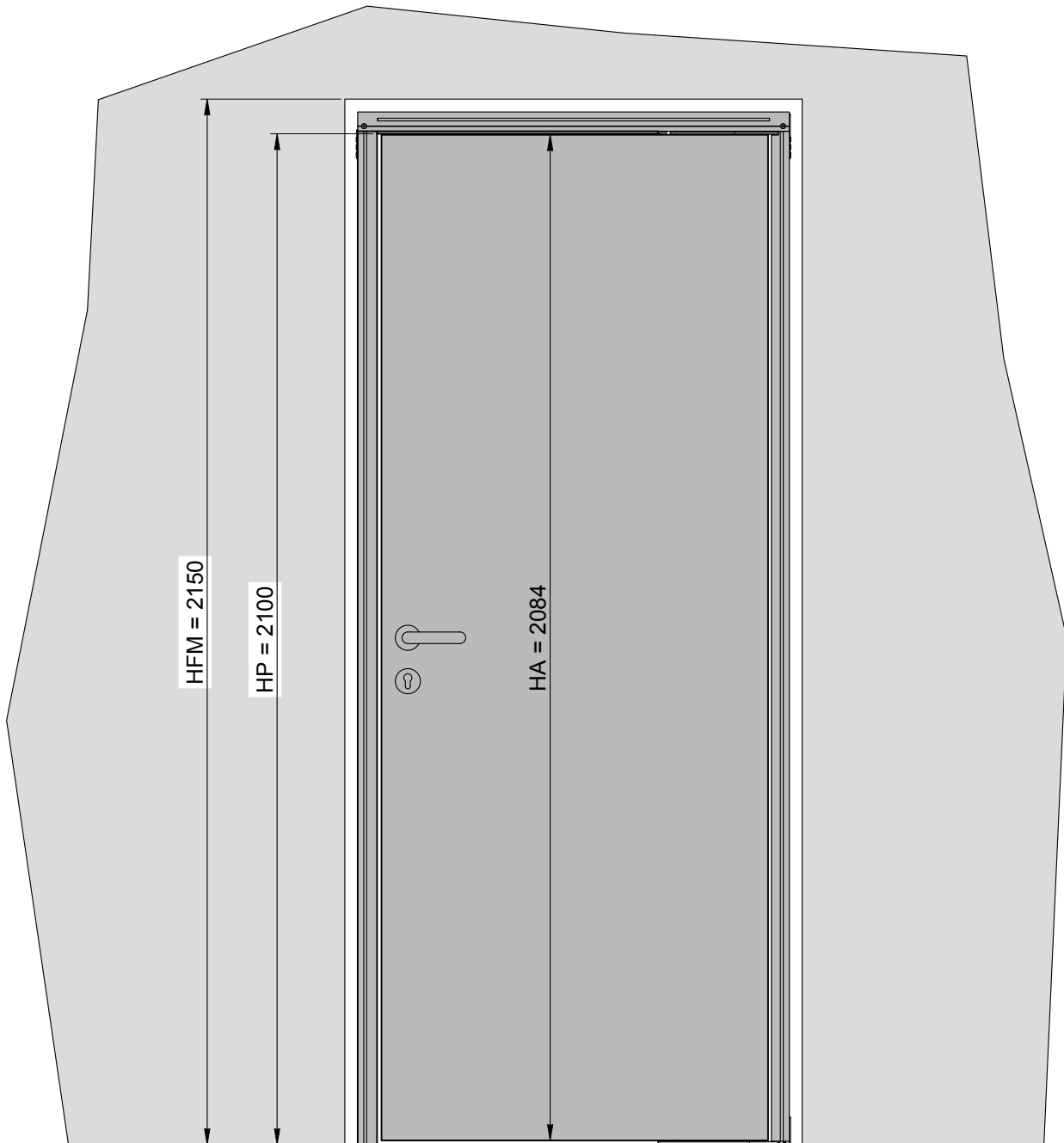
- LFMD** = WALL HOLE DIMENSION
- LPD** = PASSAGE DIMENSION (LFMD - 210)
- LA** = DOOR LEAF WIDTH ($\frac{LFMD - 162}{2}$)
- LSD** = DOOR JAMB OPENING (LFMD - 120)
- ESD** = OUTER JAMB (LFMD - 20)
- QF** = FIXED DIMENSION ENCUMBRANCE ARM-SIDE
- QV** = VARIABLE DIMENSION ENCUMBRANCE HANDLE-SIDE

The door leaf can be positioned at the centre with respect to the thickness of the wall.



See page 10 for information on managing wall thickness.

VERTICAL DIMENSIONAL DIAGRAM



VERTICAL DIMENSIONAL			
HFM wall hole height	HP passage height	HA door leaf height	
* 1950	1900	1884	HP = (HFM - 50) HA = (HFM - 66)
* 2000	1950	1934	
* 2050	2000	1984	
* 2100	2050	2034	
* 2150	2100	2084	
* 2200	2150	2134	
* 2250	2200	2184	
<p>*Available standard dimension. It is possible to have other dimensions, even intermediate dimensions, by purchasing the rod kit shortnable (see page 19). For getting rods in special sizes, kindly contact Celegon S.r.l..</p>			

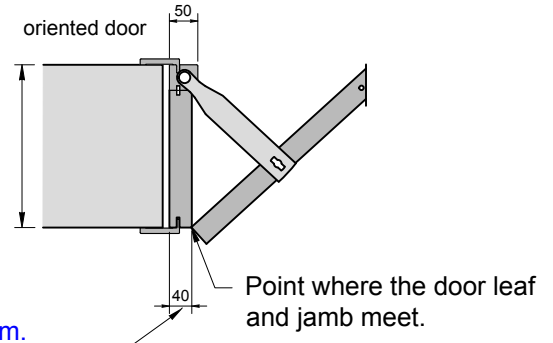
MANAGING WALL THICKNESS

The particular translation movement causes the door to retreat during opening, meaning wall thickness requires special attention to prevent the door leaf from colliding with the surface of the jamb (see drawing below).

The values shown in this page refer to a door leaf thickness 45 mm.

JAMB WITH DOORPOST

- thickness **max. 180 mm** for **SMALL** arm
- thickness **max. 260 mm** for **BASE** arm
- thickness **max. 390 mm** for **LARGE** arm

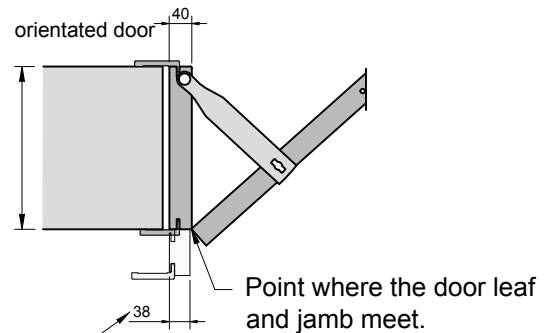


To increase the wall thickness, the jamb thickness can be reduced <40 mm.

By reducing the jamb to less than 40 mm, the wall thickness can be increased by approximately 30 mm for every 2 mm (e.g. jamb thickness 38 mm = **BASE** arm wall thickness 290 mm).

STRAIGHT FRAME

- thickness **max. 60 mm** for **SMALL** arm
- thickness **max. 110 mm** for **BASE** arm
- thickness **max. 135 mm** for **LARGE** arm



To increase the thickness of the wall, an element can be added to the frame with a smaller thickness than the frame itself (e.g. frame thickness 40 mm add 38 mm element).

In this way it is possible to increase the thickness of the wall by about 30 mm every 2 mm (e.g. adding a 38 mm element = wall thickness **BASE** bracket 140 mm).

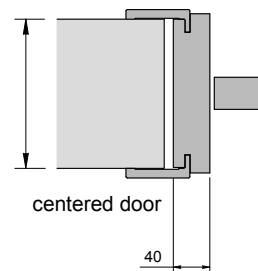
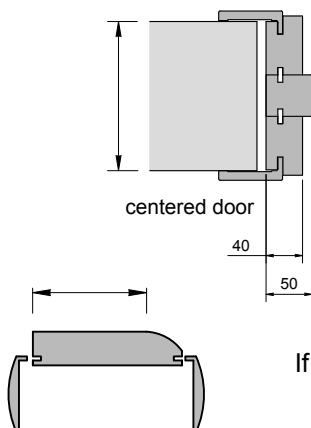
By positioning the door at the centre of the jamb, the maximum wall thickness can be increased.

JAMB WITH DOORPOST

- thickness **max. 320 mm** for **SMALL** arm
- thickness **max. 480 mm** for **BASE** arm
- thickness **max. 740 mm** for **LARGE** arm

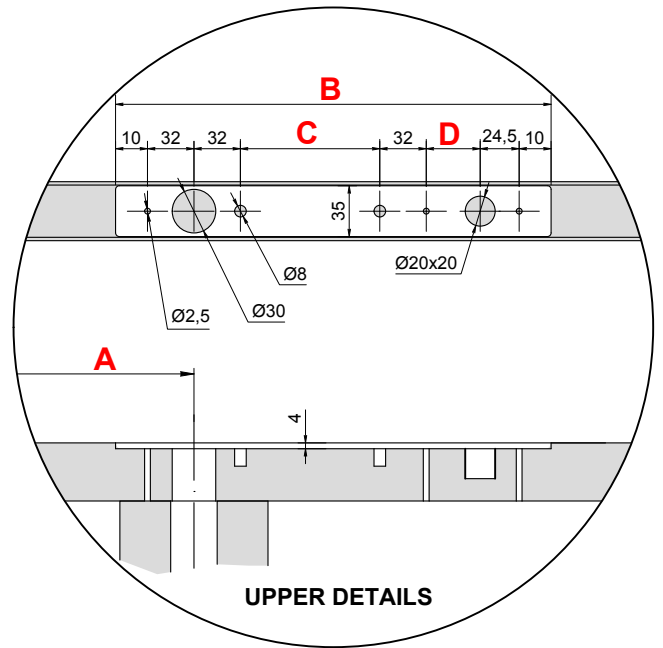
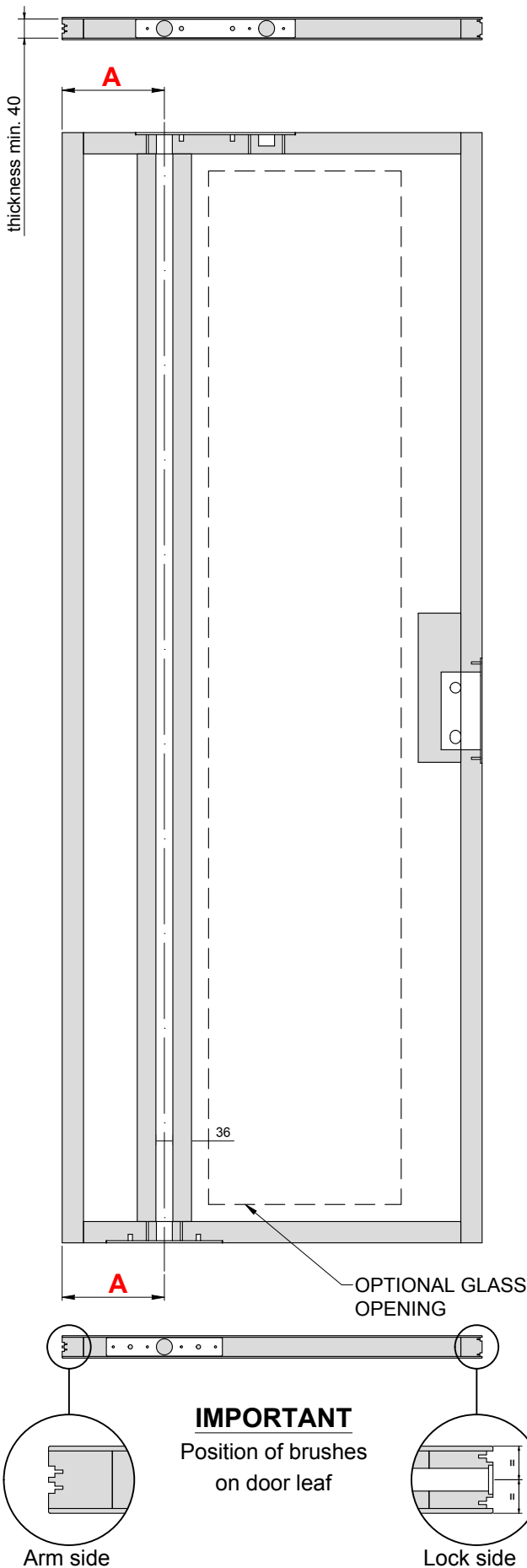
STRAIGHT FRAME

- thickness **max. 80 mm** for **SMALL** arm
- thickness **max. 150 mm** for **BASE** arm
- thickness **max. 230 mm** for **LARGE** arm



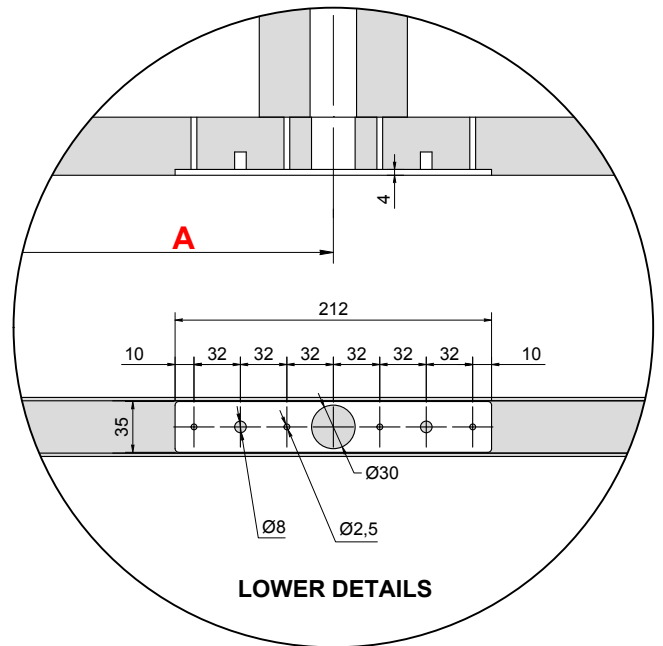
If rounded jambs are used, the above thickness wall dimension must be calculated only on the plane surface and not on the rounded side.

WORKING DOOR LEAF SPECIFICATION



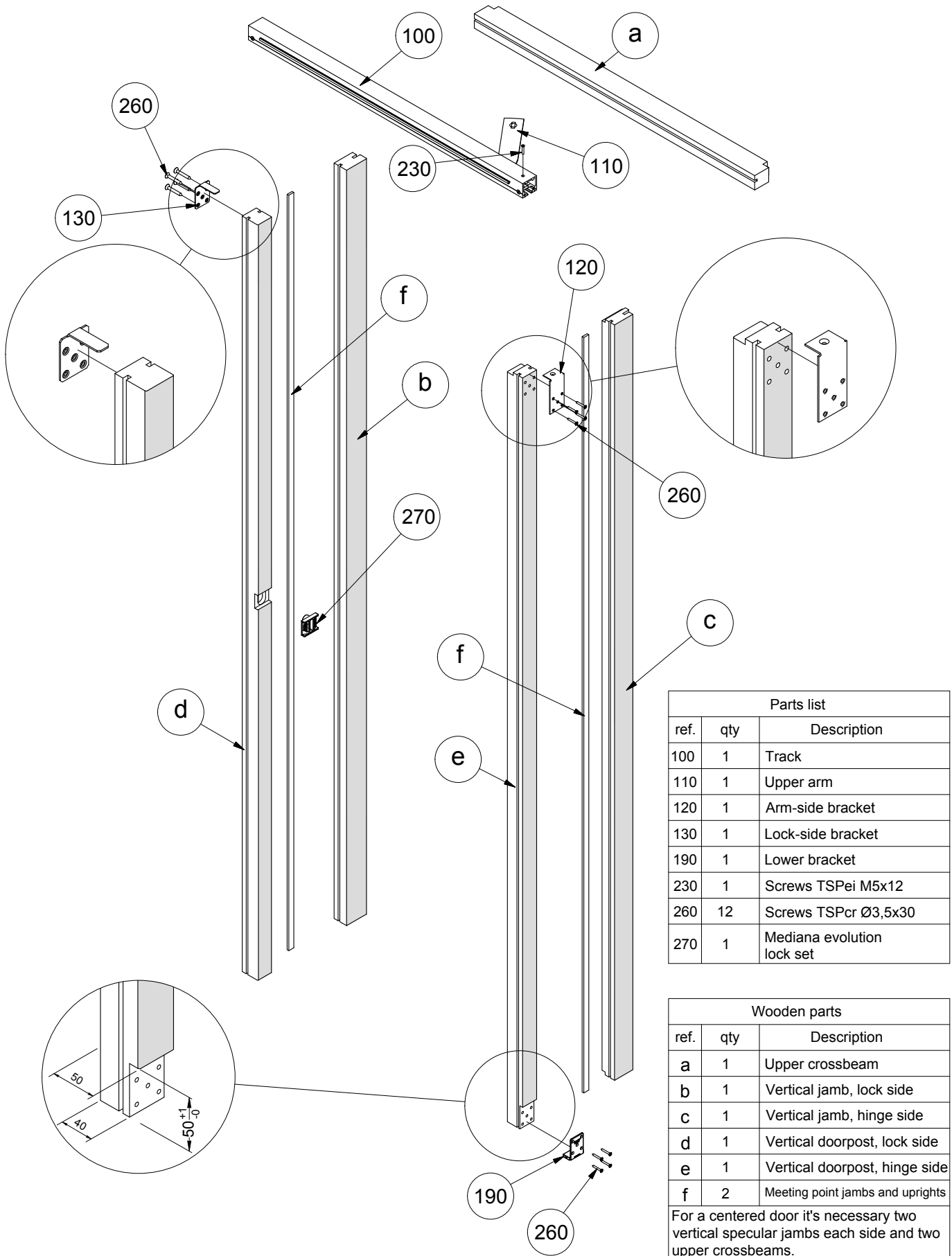
Variable measures according to arm used

	A	B	C	D
BASE arm	192	276	96	39,5
SMALL arm	144	227,3	47,3	39,5
LARGE arm	306	390	224	25,5



It is recommended to use a lock with facing no larger than 18 mm.

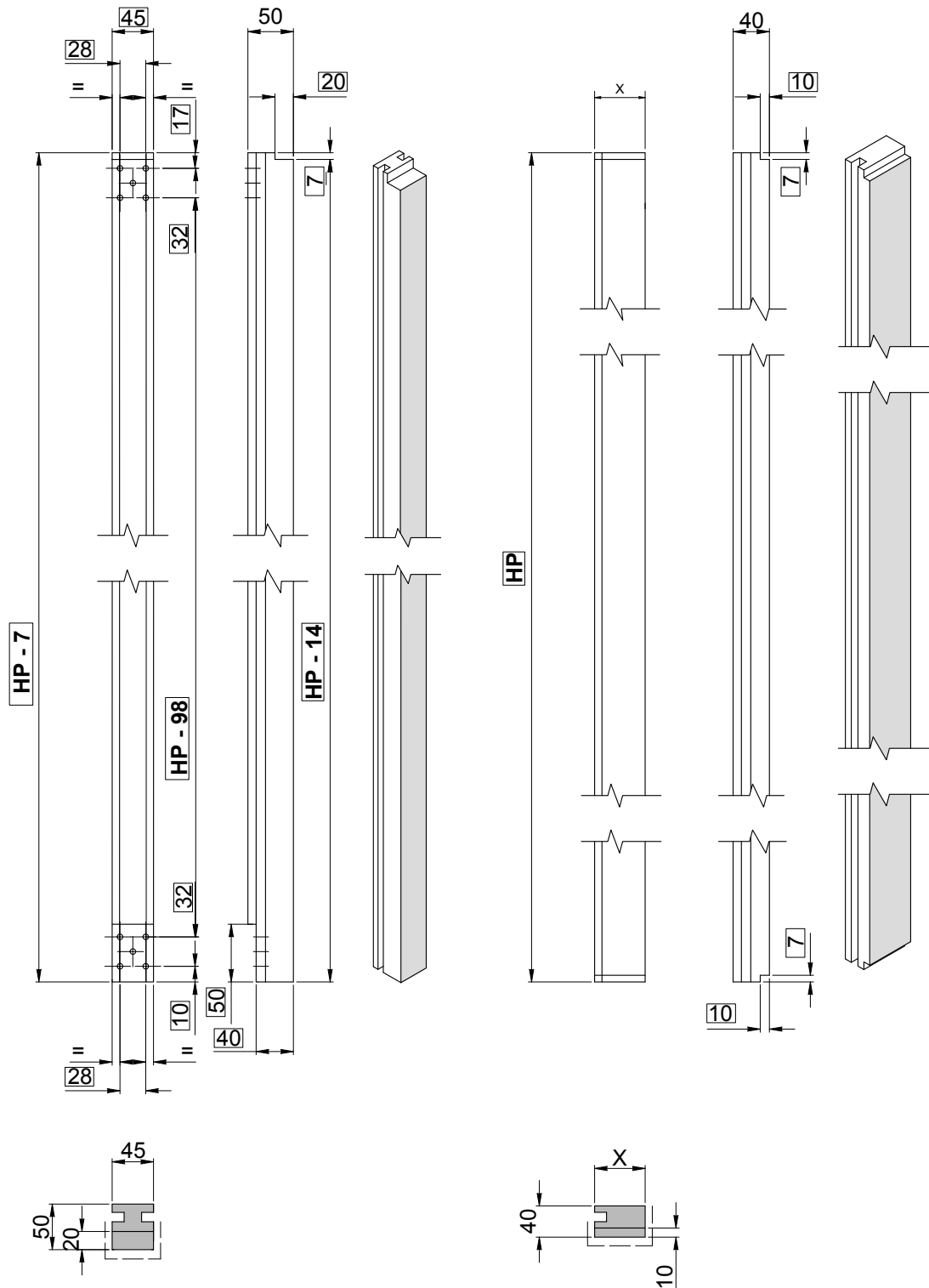
EXPLODED VIEW OF THE FRAME (JAMB WITH DOORPOST)



DETAILS FOR VERTICAL FRAME (JAMB WITH DOORPOST)

DOORPOST ARM SIDE

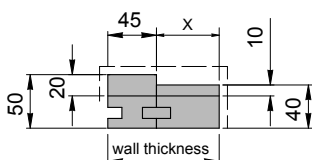
JAMB ARM SIDE



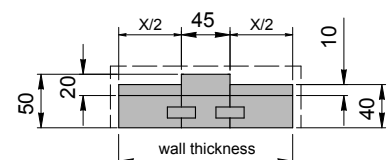
DIMENSION THAT BE ACCURATE X = WALL THICKNESS - 45 HP = PASSAGE DIMENSION - - - VISIBLE SIDE

ORIENTED DOOR

CENTERED DOOR



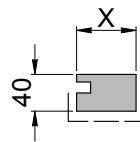
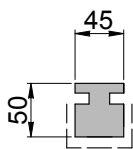
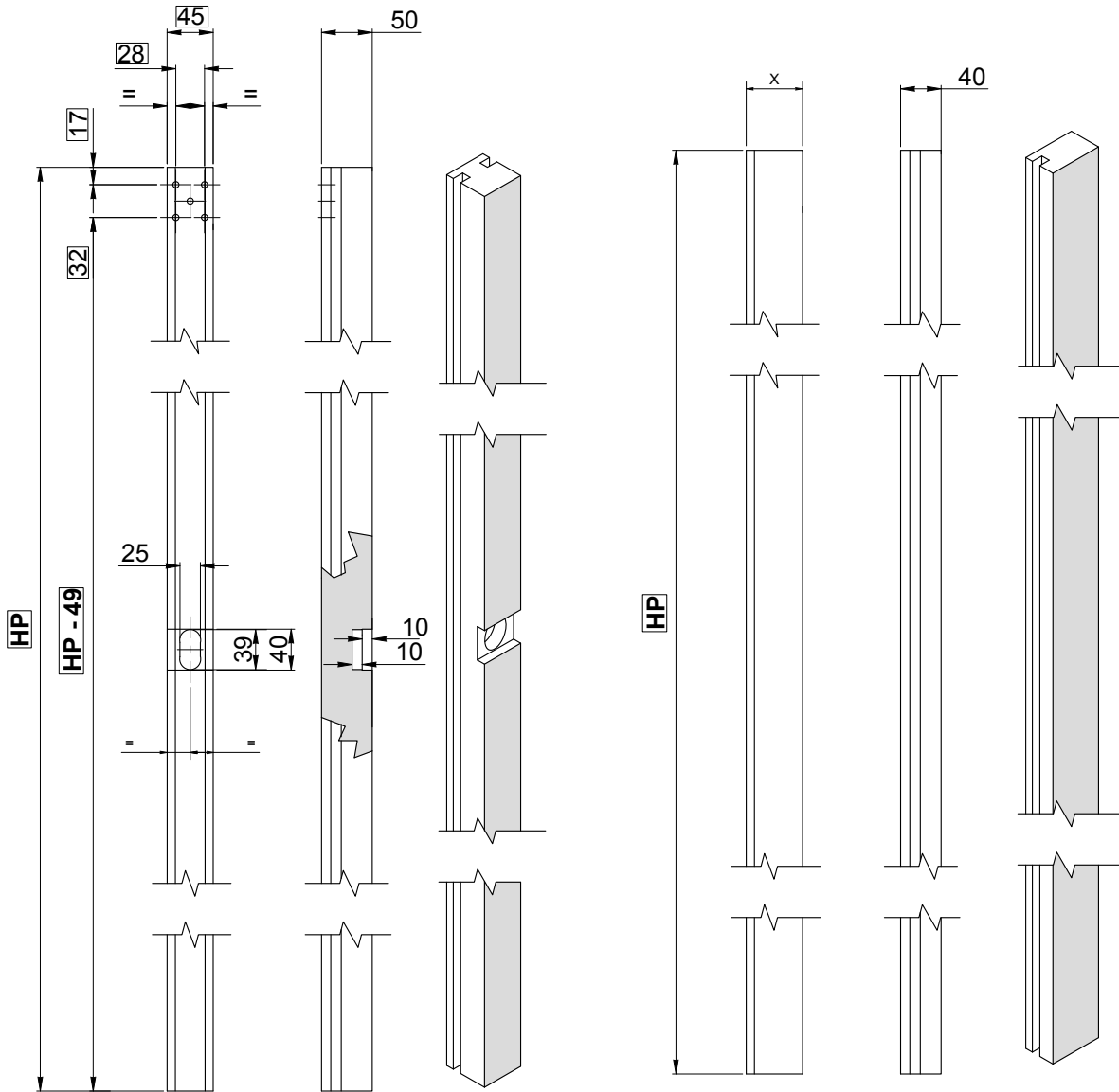
FOR CENTERED DOOR IS NECESSARY TWO SPECULAR JAMB



DETAILS FOR VERTICAL FRAME (JAMB WITH DOORPOST)

DOORPOST LOCK SIDE

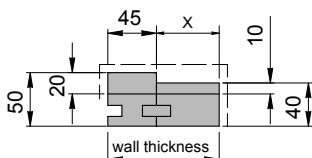
JAMB LOCK SIDE



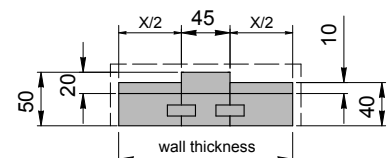
DIMENSION THAT BE ACCURATE **X = WALL THICKNESS - 45** **HP = PASSAGE DIMENSION** - - - **VISIBLE SIDE**

ORIENTED DOOR

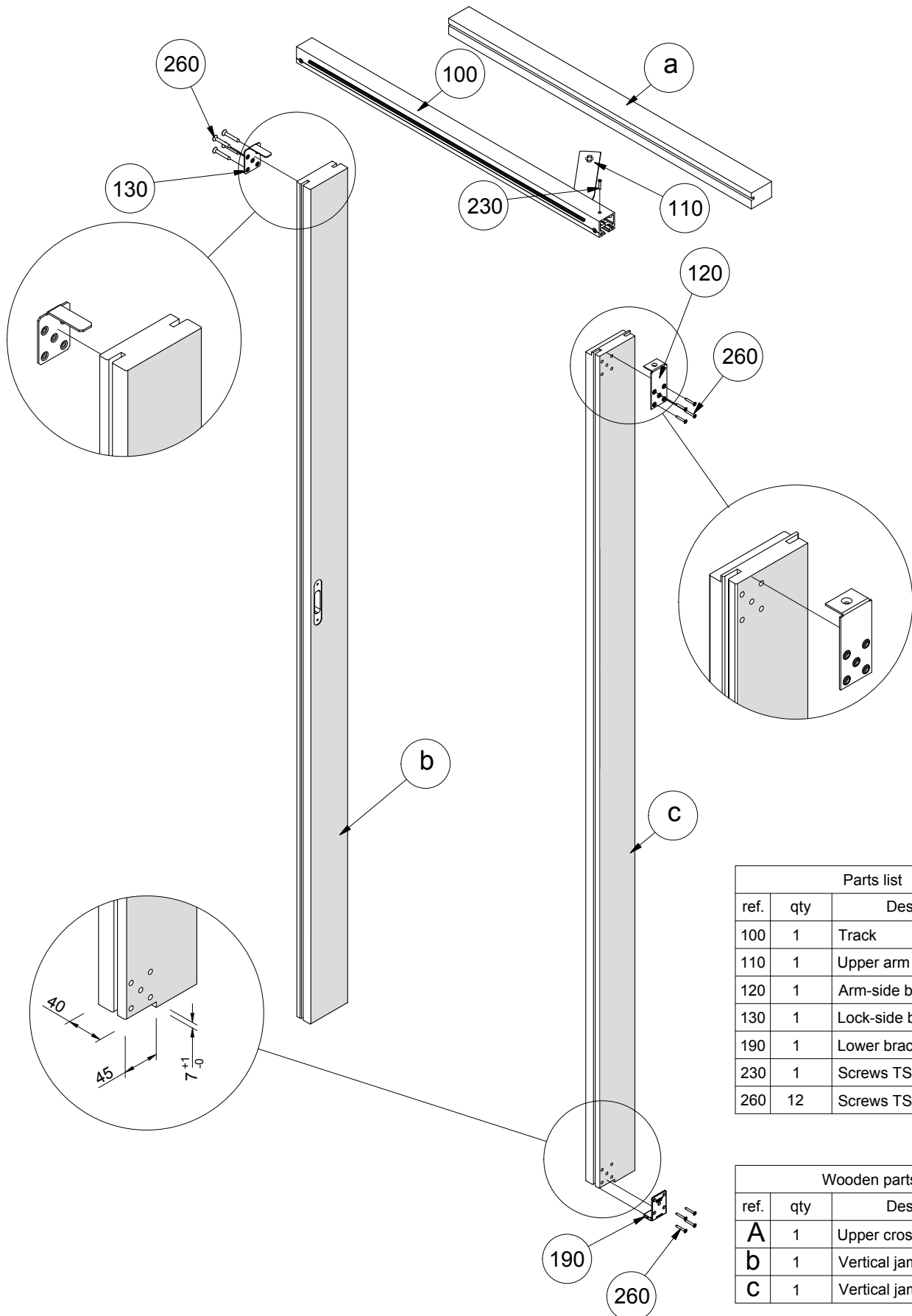
CENTERED DOOR



FOR CENTERED DOOR IS NECESSARY
TWO SPECULAR JAMB



EXPLODED VIEW OF THE FRAME (STRAIGHT JAMB)



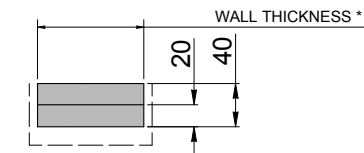
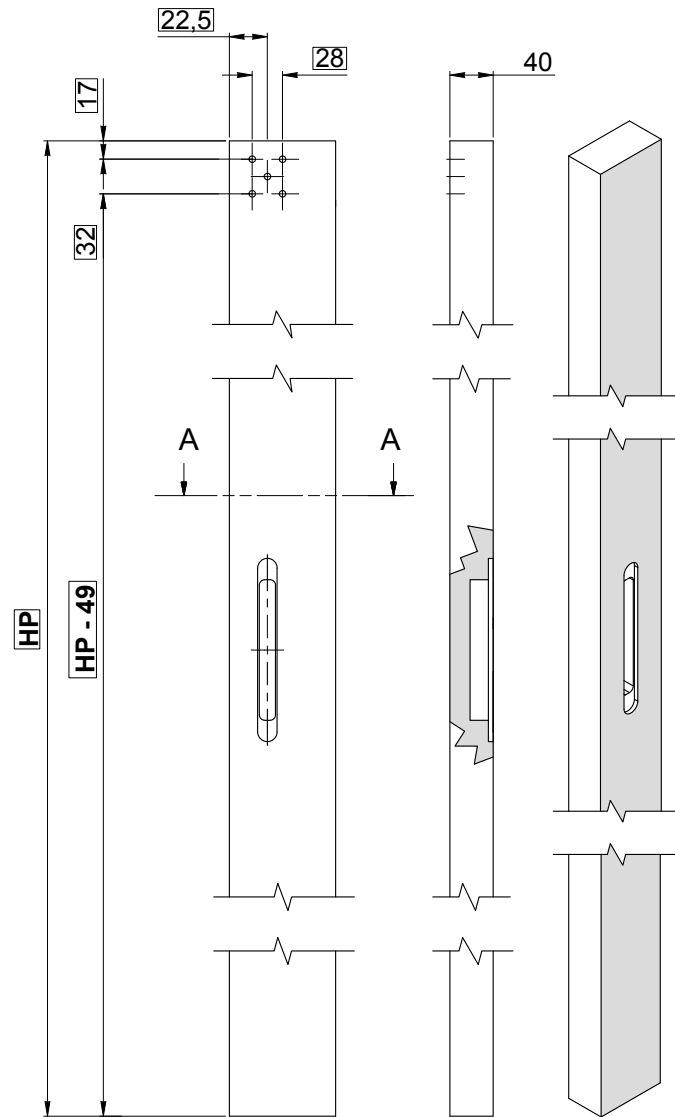
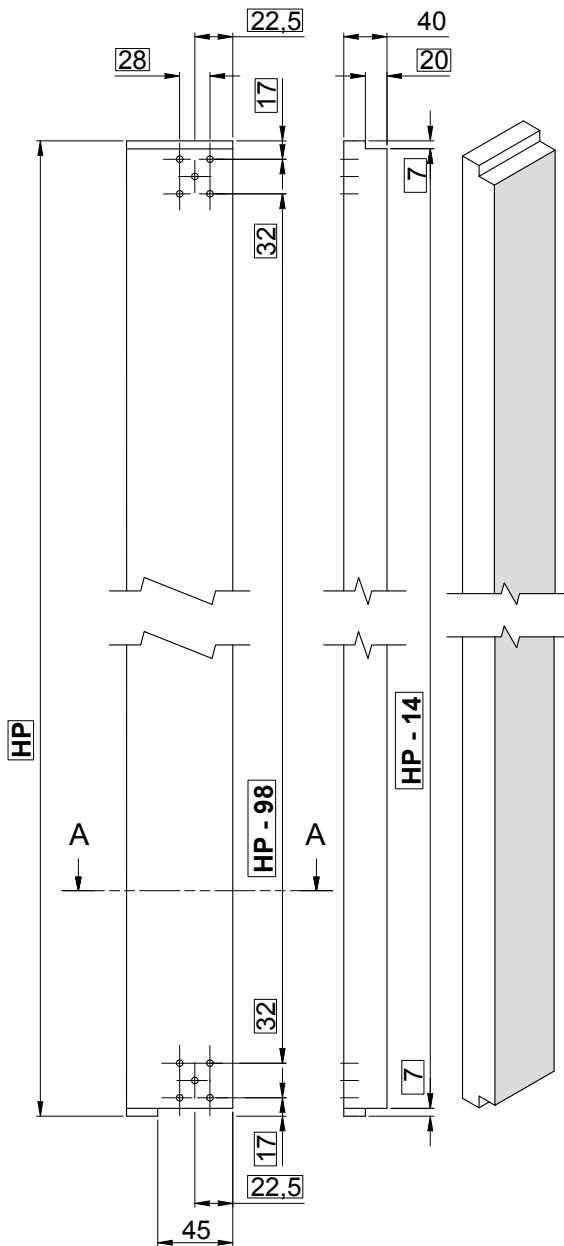
Parts list		
ref.	qty	Description
100	1	Track
110	1	Upper arm
120	1	Arm-side bracket
130	1	Lock-side bracket
190	1	Lower bracket
230	1	Screws TSPei M5x12
260	12	Screws TSPcr Ø3,5x30

Wooden parts		
ref.	qty	Description
A	1	Upper crossbeam
b	1	Vertical jamb, lock side
c	1	Vertical jamb, arm side

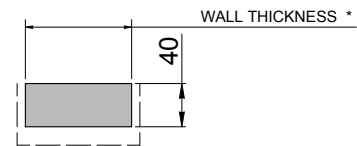
DETAILS FOR VERTICAL FRAME (STRAIGHT JAMB)

ARM SIDE

LOCK SIDE



SEZ. A-A



SEZ. A-A

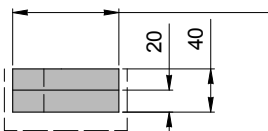
▭ IMPORTANT DIMENSIONS THAT MUST BE ACCURATE

--- VISIBLE SIDE

HP = PASSAGE DIMENSION

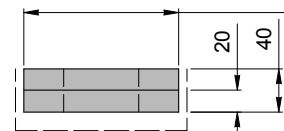
ORIENTED DOOR

Wall Thickness *



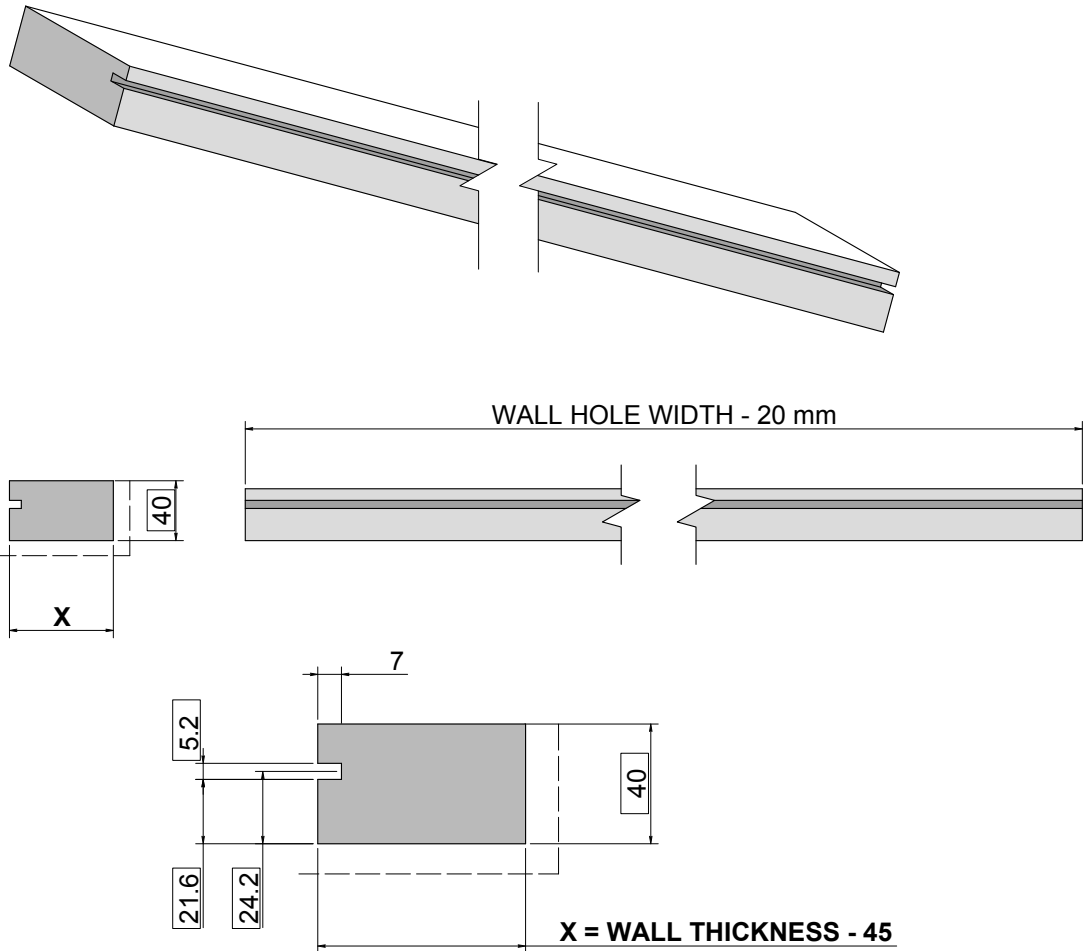
CENTERED DOOR

Wall Thickness *

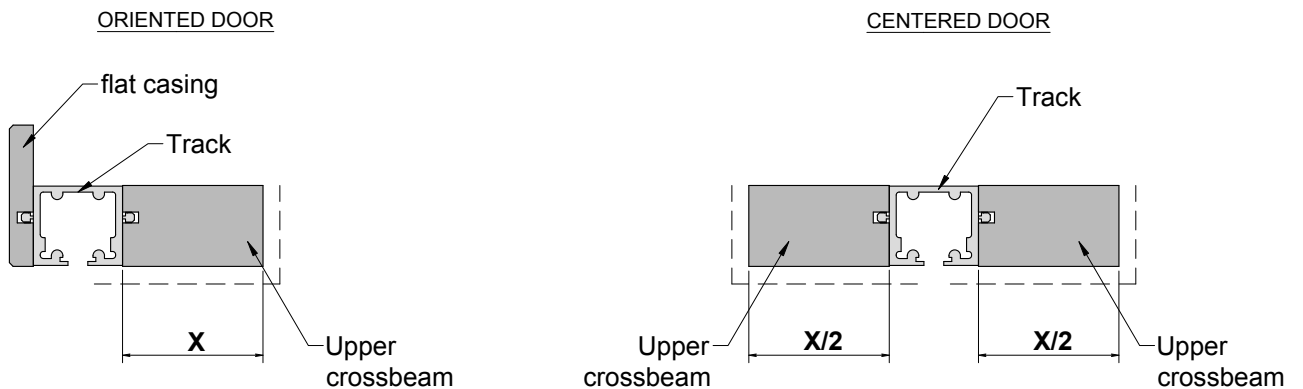


DETAILS FOR UPPER CROSSBEAM

VALID FOR FRAME WITH DOORPOST AND FLAT FRAME

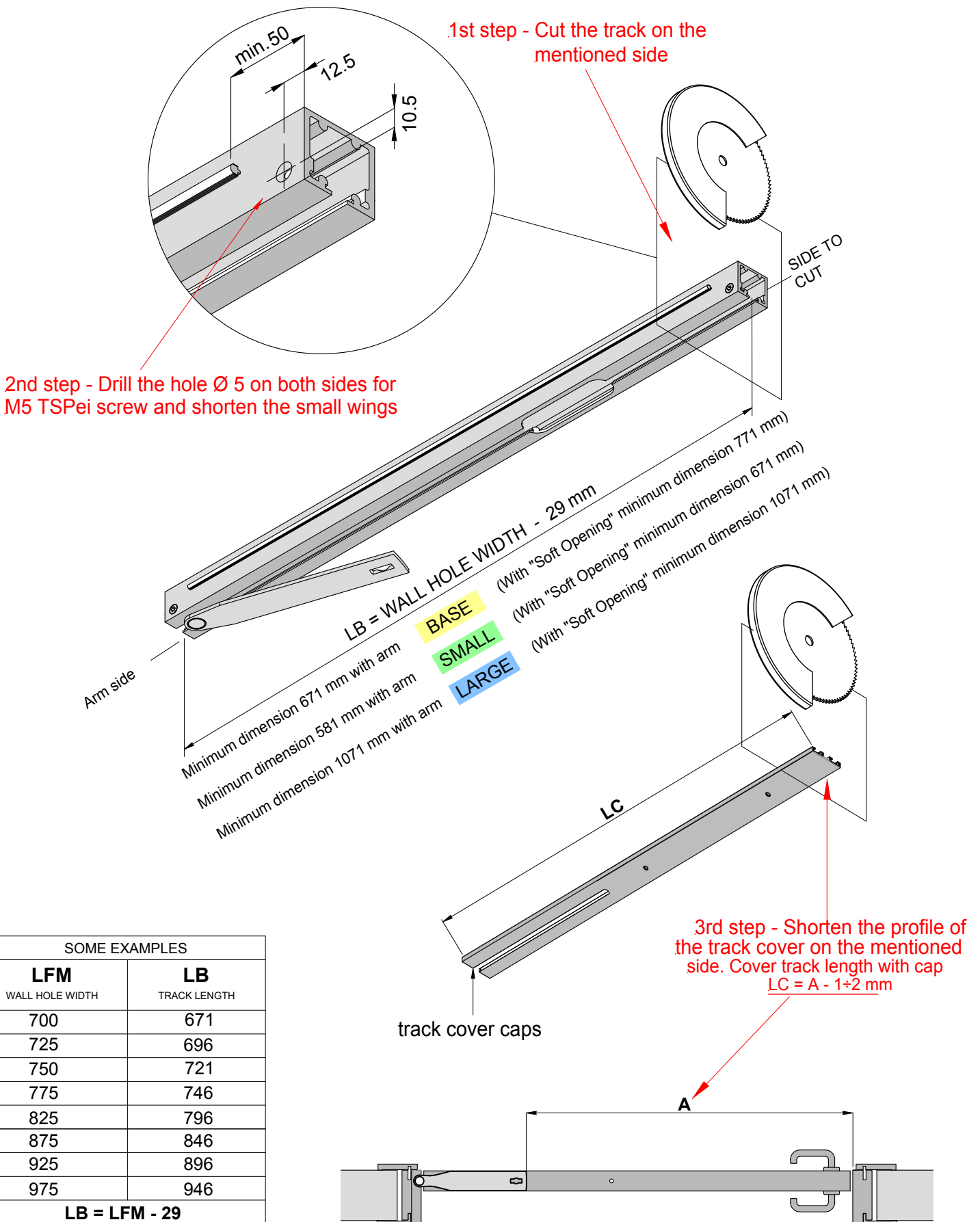


DIMENSION THAT BE ACCURATE X = WALL THCKNESS - 45 - - - - - VISIBLE SIDE



For centered door it is necessary to have two specular crossbeam.

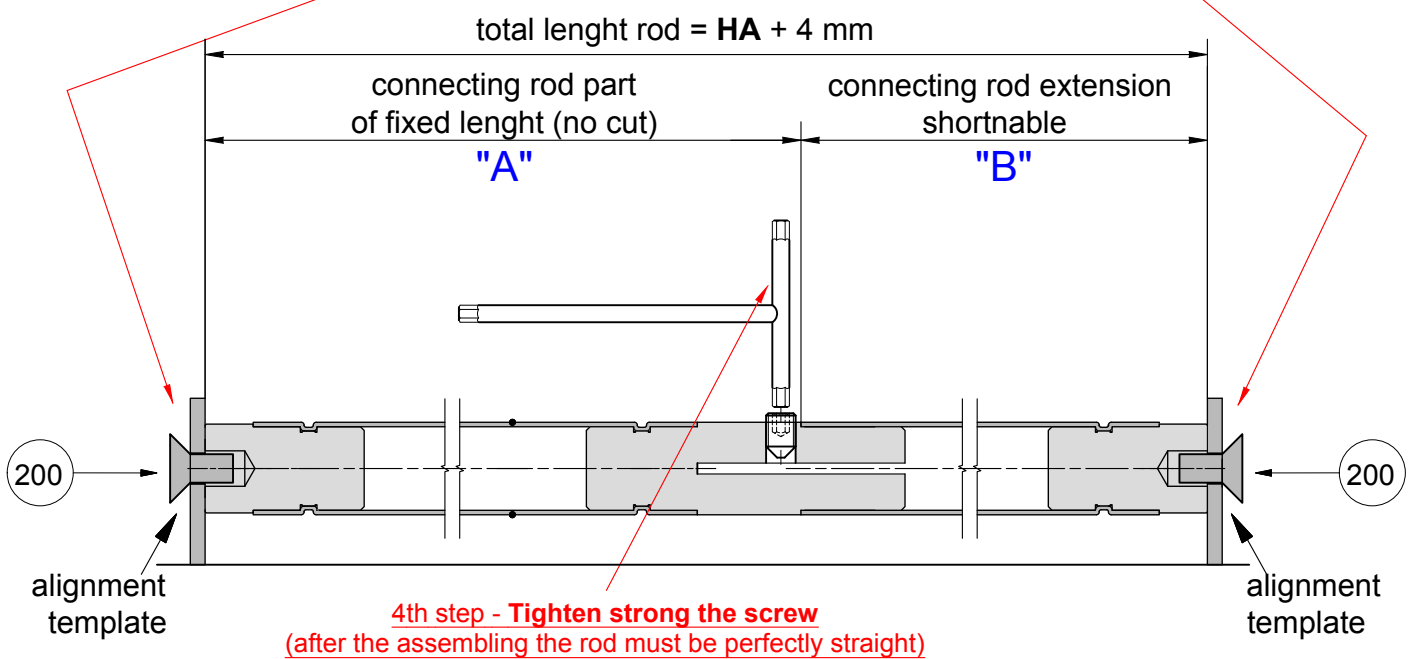
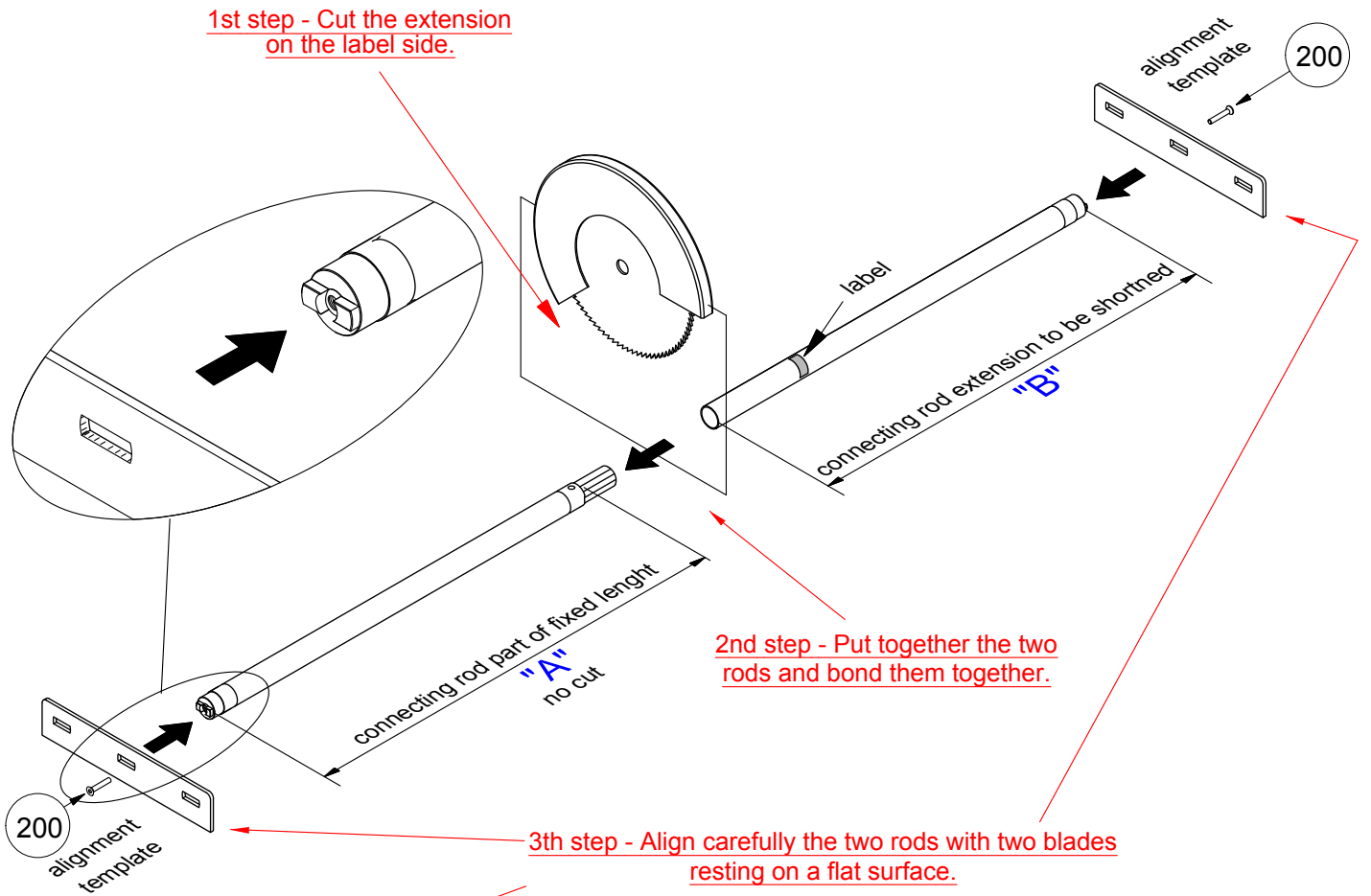
TRACK ADJUSTMENT TO THE WIDTH NOT STANDARD



SOME EXAMPLES	
LFM WALL HOLE WIDTH	LB TRACK LENGTH
700	671
725	696
750	721
775	746
825	796
875	846
925	896
975	946
LB = LFM - 29	

ROD KIT SHORTNABLE

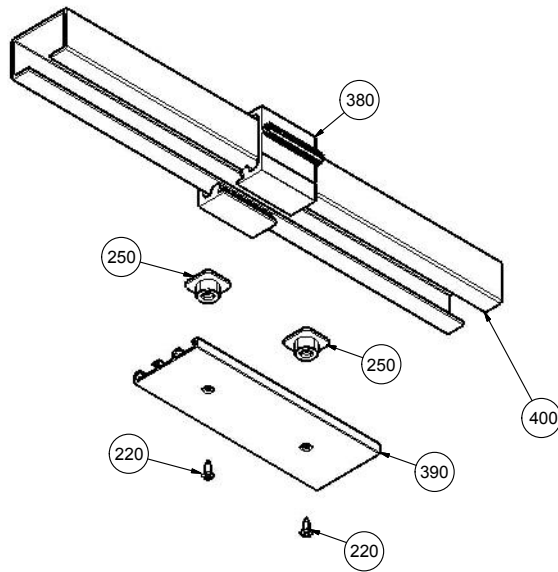
ADJUSTMENT OF THE CONNECTING ROD FOR NOT STANDARD HEIGHTS



Item nr.	HP max	Dimension "A" fixed lenght	Dimension "B" to be shortened	
555250CP	2500	1258,5	HA - 1254,5	Available on stock
555300CP	3000	1508,5	HA - 1504,5	Available on request

KIT UNION TRACKS FOR DOOR WITH TWO DOOR LEAVES ERGON LIVING SYSTEM

1

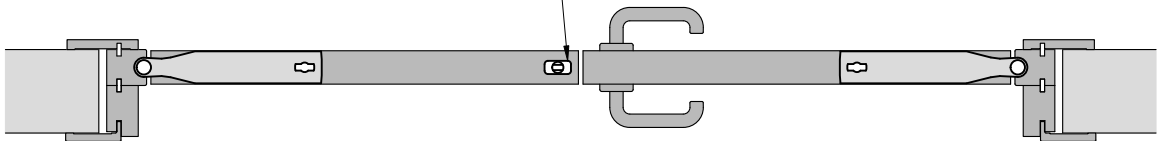


Item number 564000

Part list		
ref.	qty	Description
220	1	Screw TSPcr Ø3X10
250	2	Track cover installation insert
380	1	Track extension
390	1	Track cover extension
400	1	Track graft junction

2

A traditional lever latch system can be used or the Push&Go Evo magnetic system (recommended, see page 22)



N.B.: for the limits of the wall thickness see page 10 in this manual.

LFM minimum 1600 mm. with **BASE** arm, with "Soft Opening" **LFM** minimum 1700 mm.

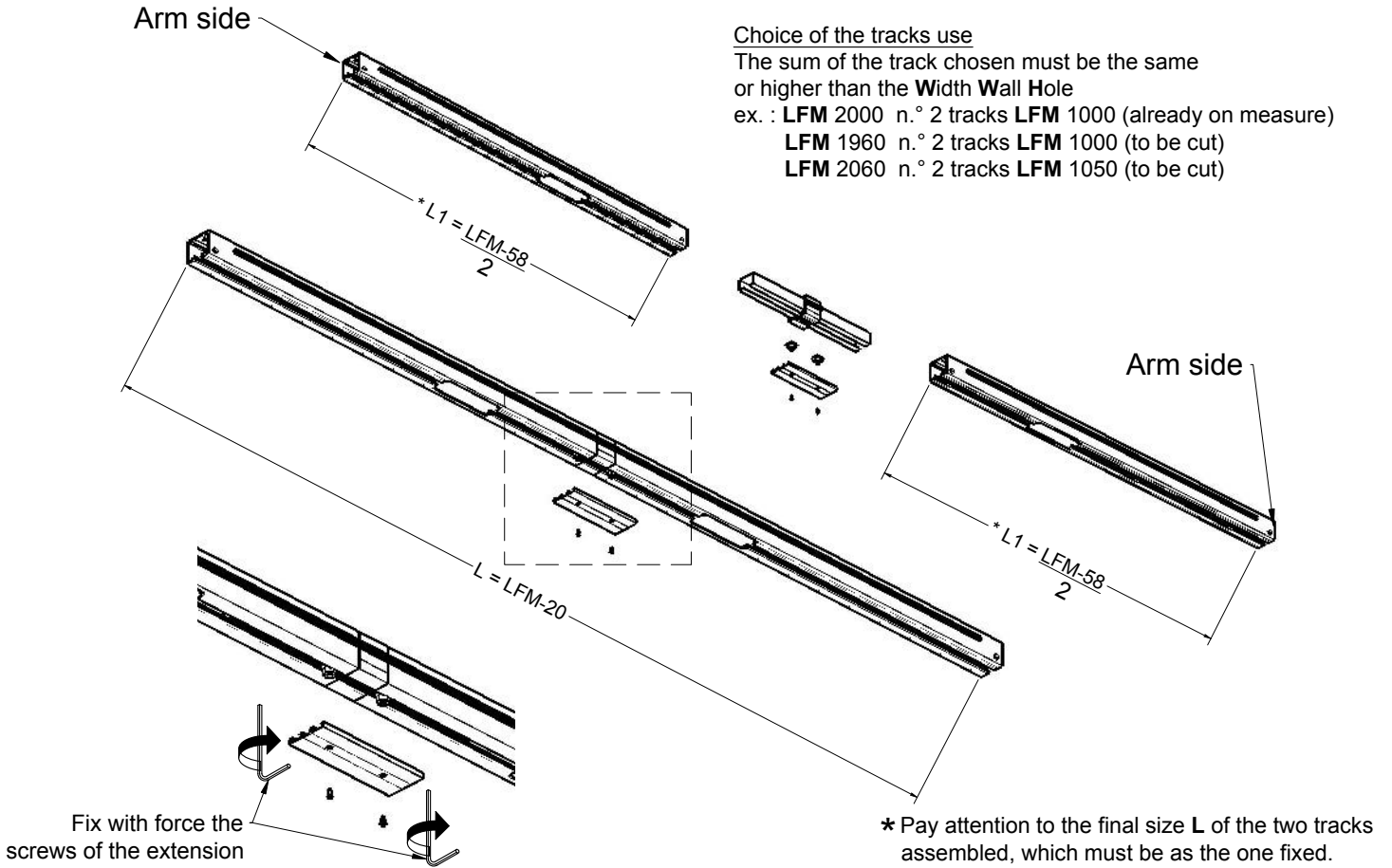
LFM minimum 1400 mm. with **SMALL** arm, with "Soft Opening" **LFM** minimum 1500 mm.

LFM minimum 2300 mm. with **LARGE** arm, with "Soft Opening" **LFM** minimum 2300 mm.

For dimensions smaller than those indicated, contact Celegon S.r.l.

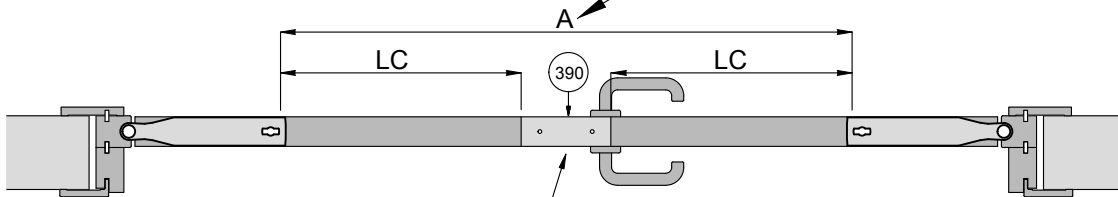
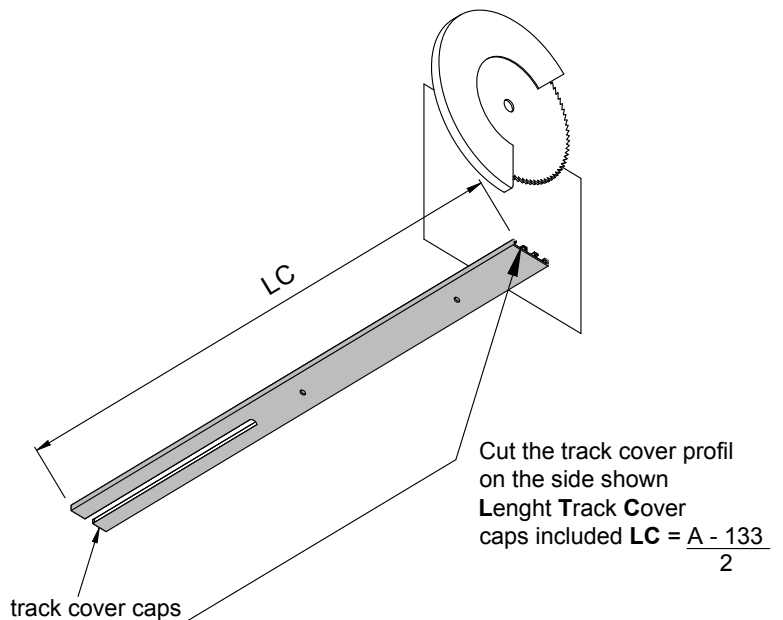
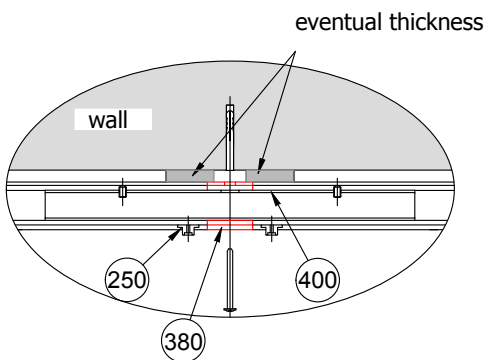
KIT UNION TRACKS FOR DOOR WITH TWO DOOR LEAVES ERGON LIVING SYSTEM

3



Fix properly the track to the upper wall through the hole you see on the track extension (380) Before installing the doors be sure that internal track are clean.

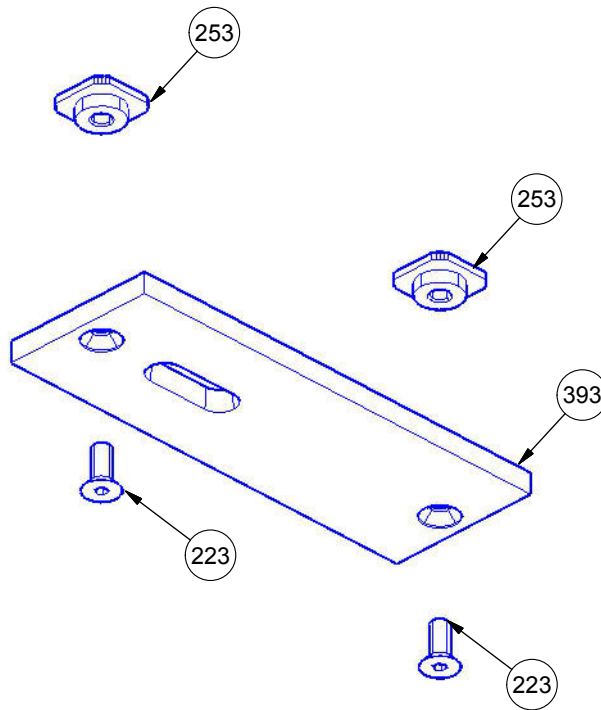
4



Create the opening to block the secondary door leaf for the traditional latch,
OR
For the Push&Go EVO system use the dedicated kit, see next page.

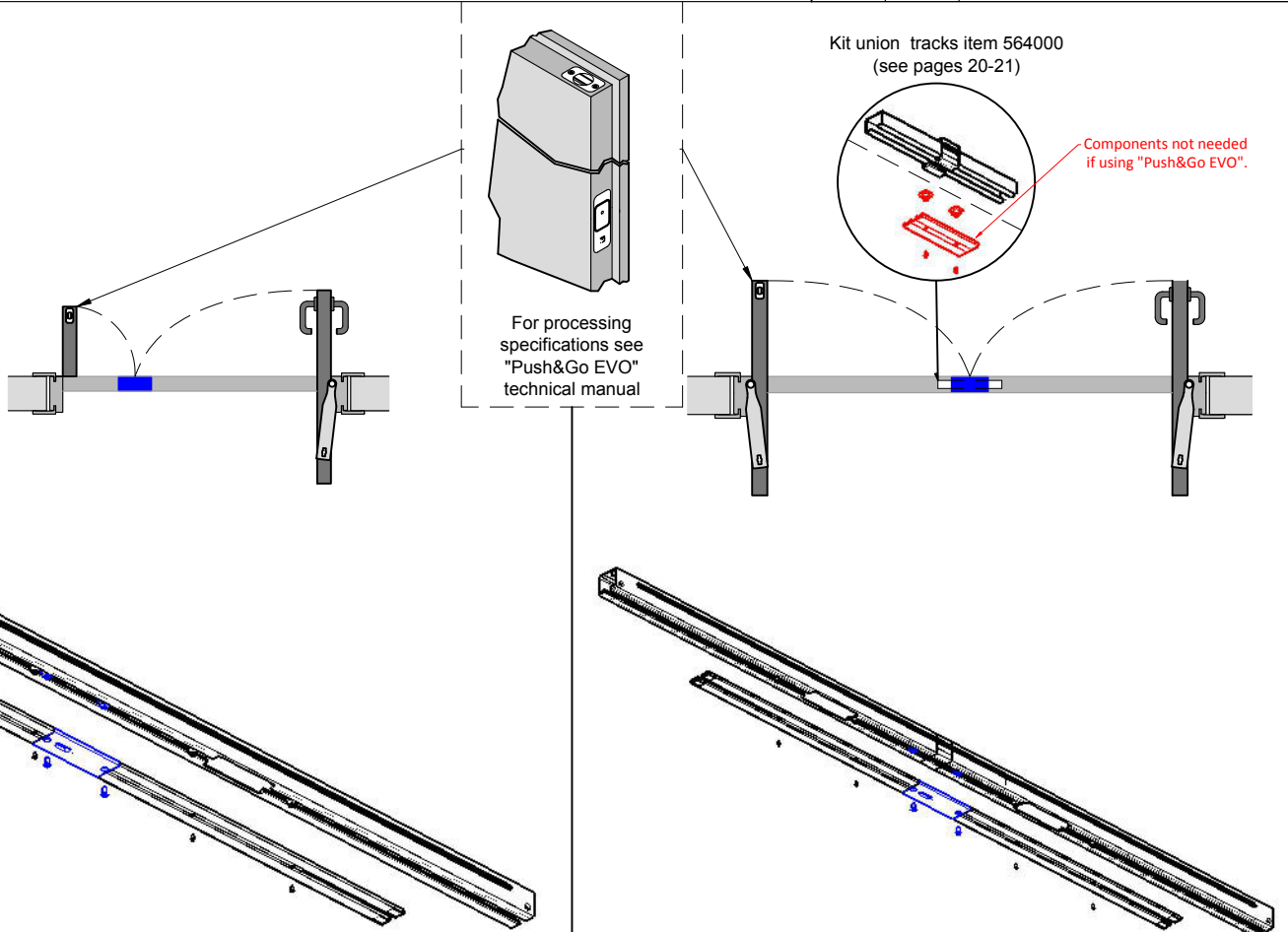
MAGNETIC STRIKER PLATE FOR "Push&Go EVO"

For use with double door leaves with Ergon Living system.

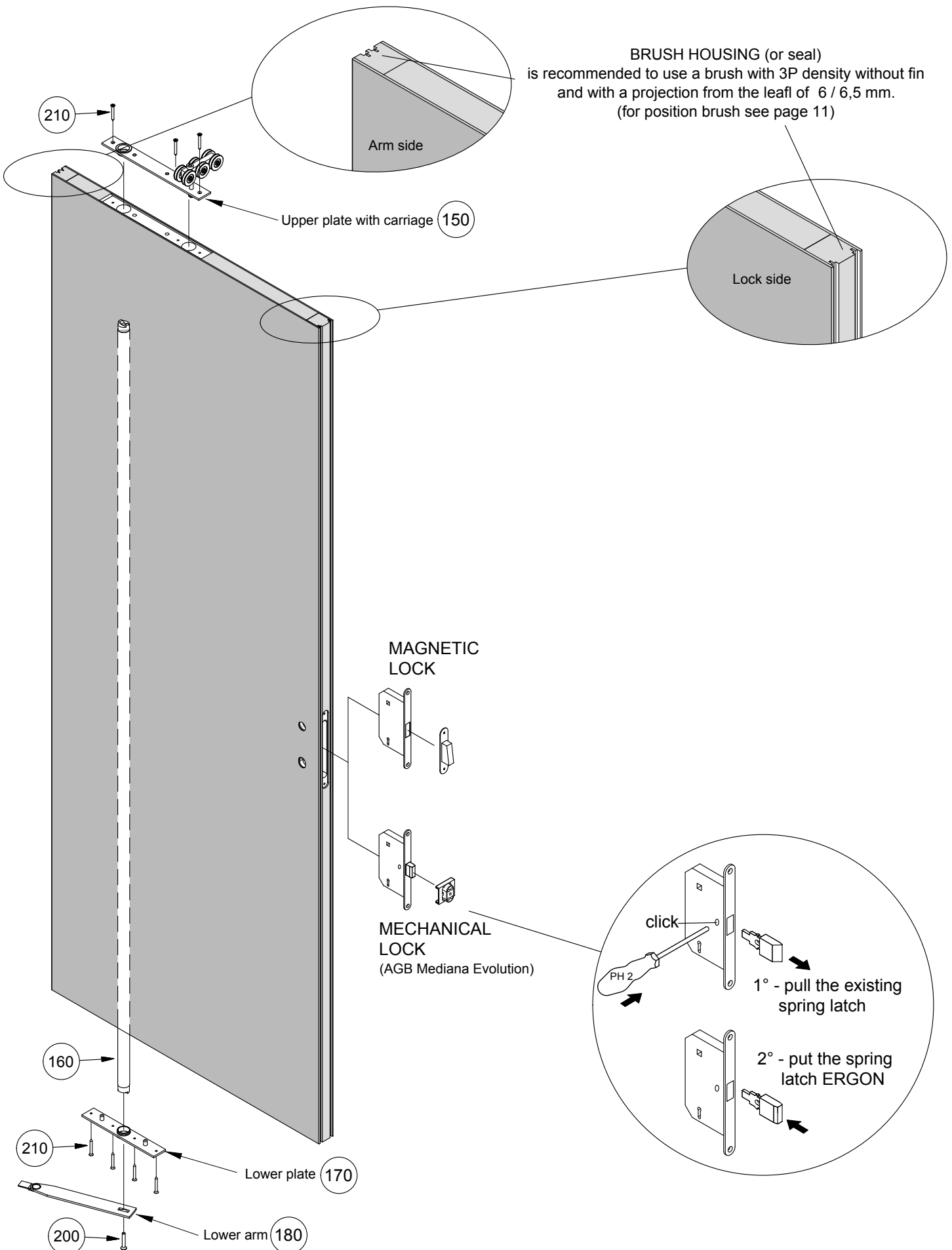


Silver item number 4150IA
Black item number 4150IN

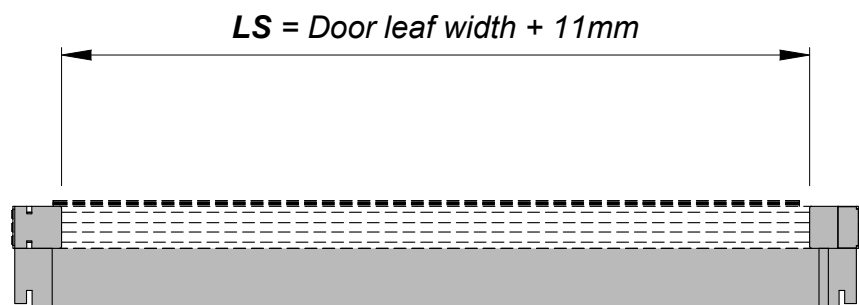
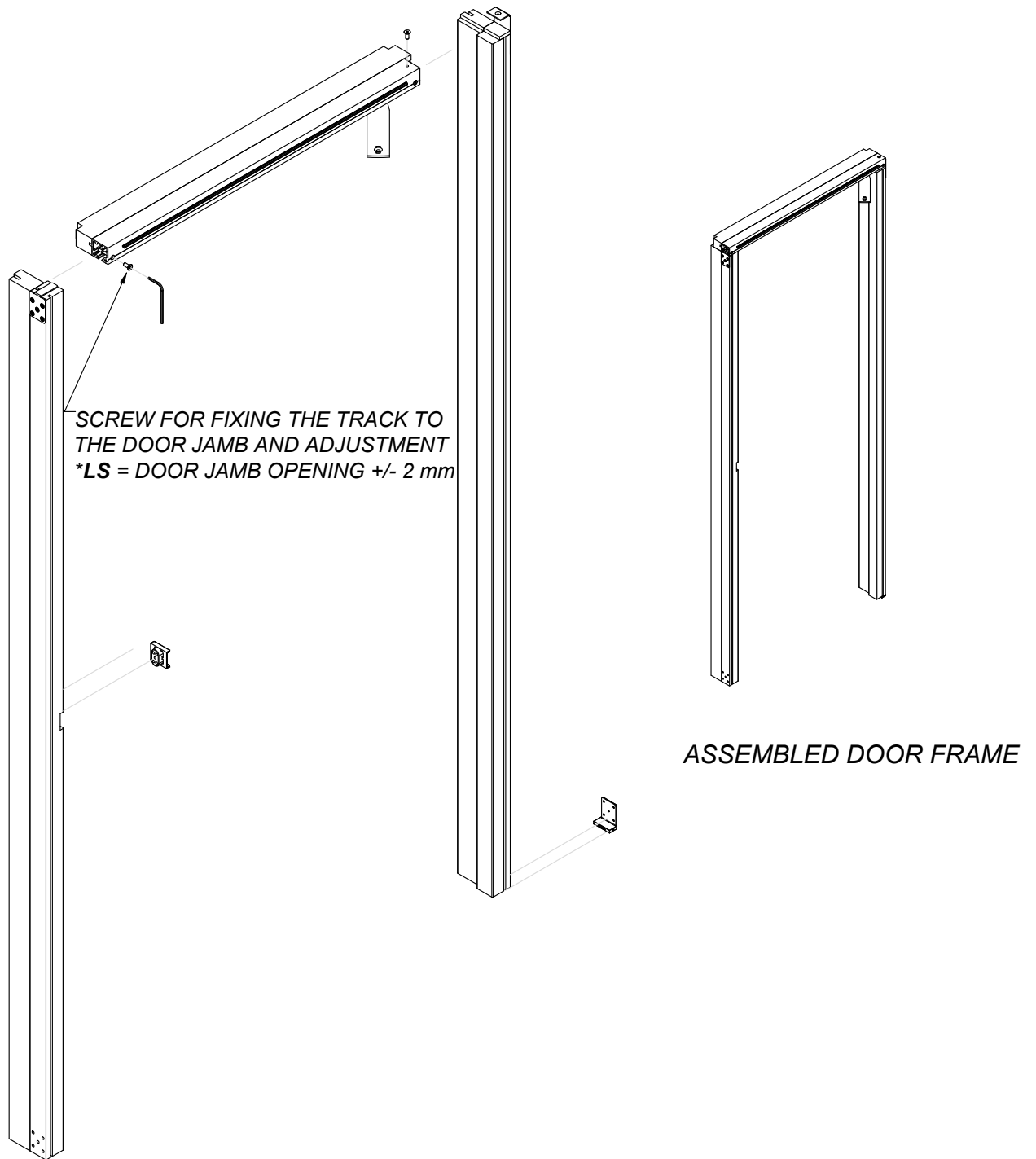
ref.	qty	Parts list
223	1	Screw TSPEI M5x12
253	1	Plate fixing insert
393	1	Magnetic striker plate



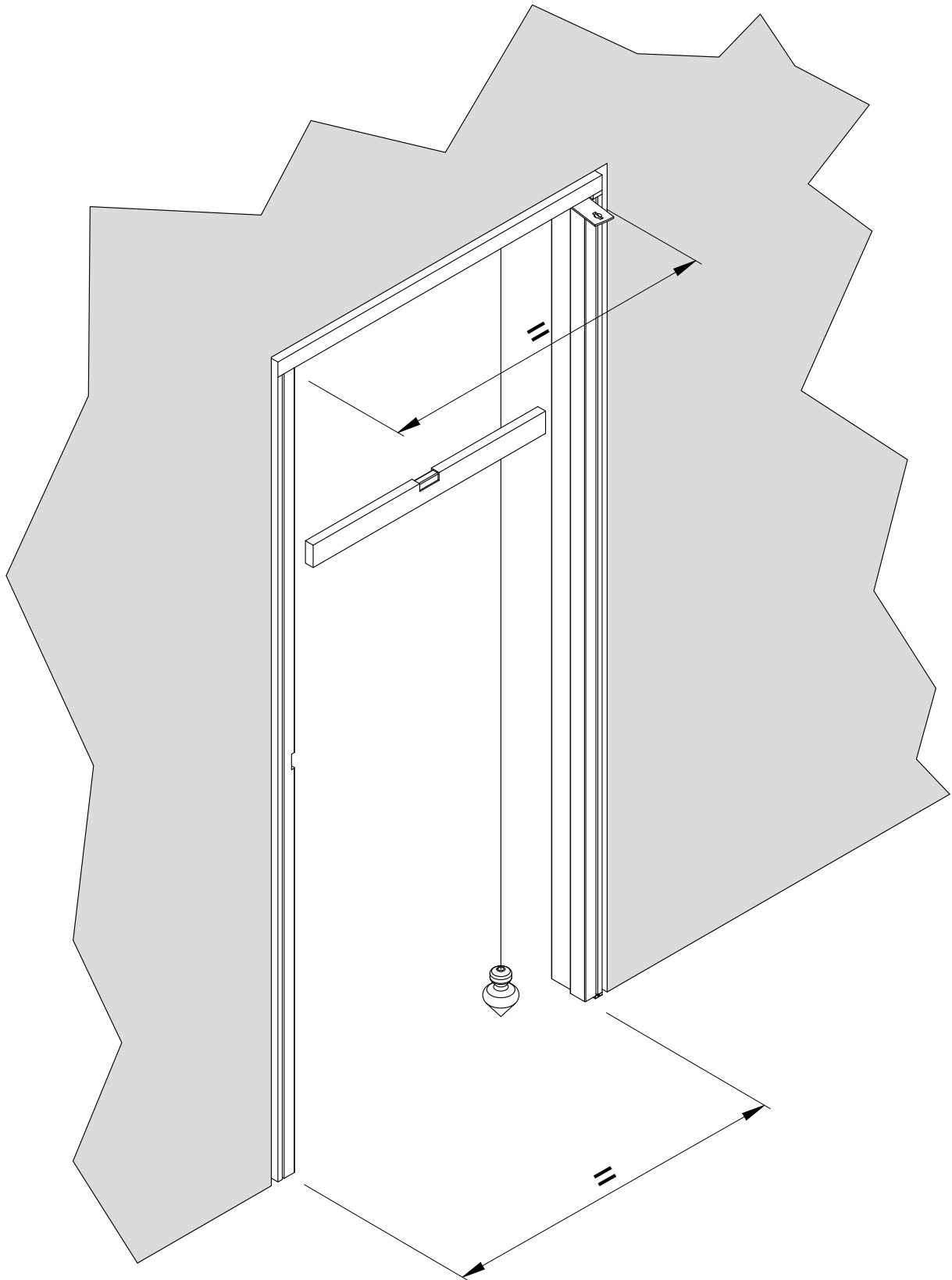
ASSEMBLING THE HARDWARE IN THE DOOR LEAF



ASSEMBLY FRAME AND TRACK



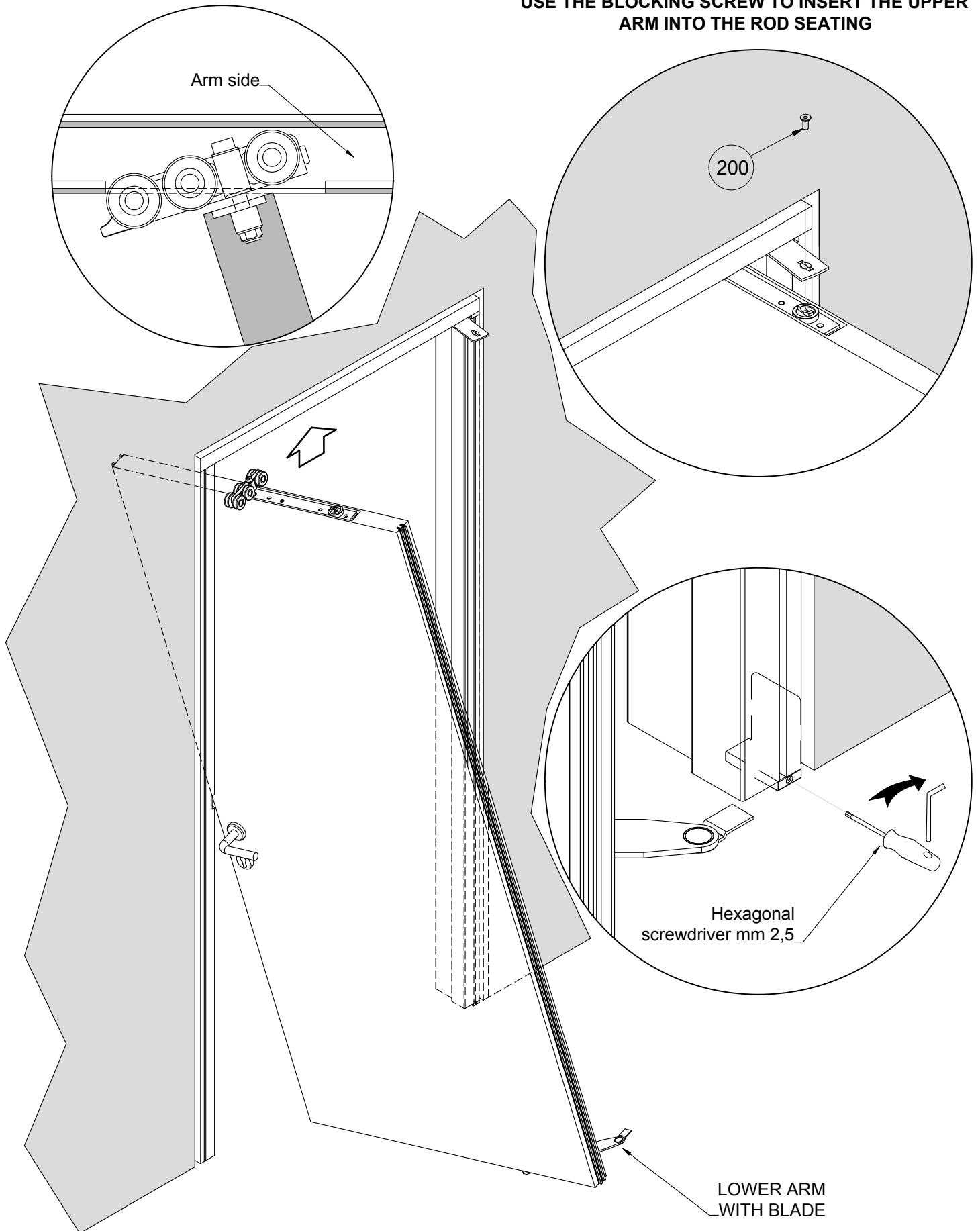
COMPLETE FRAME INSTALLATION



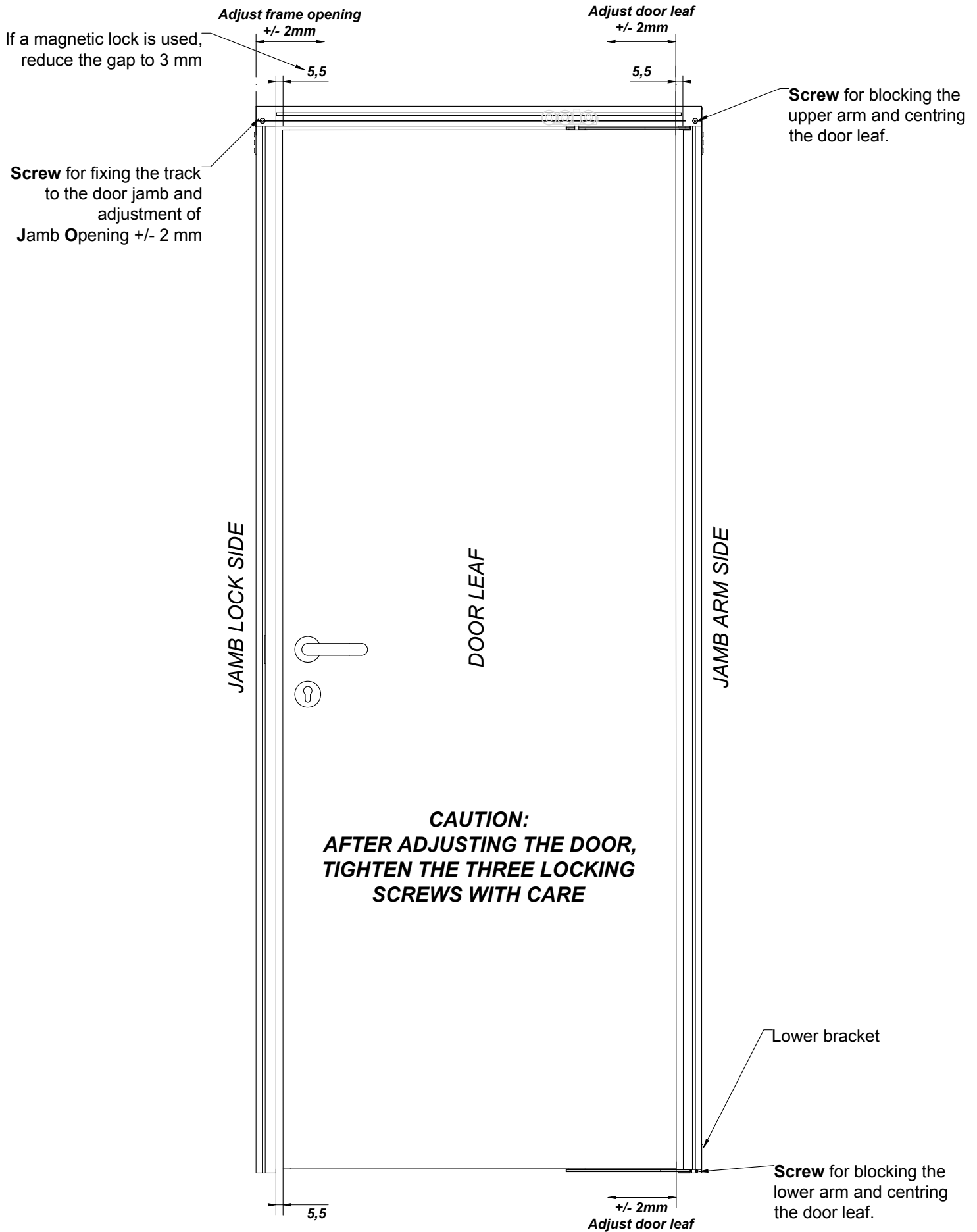
NOTE:
THE LEVELLING OF THE TRACK AND THE PLUMB OF THE DOOR JAMBS MUST BE PRECISE

DOOR LEAF INSTALLATION

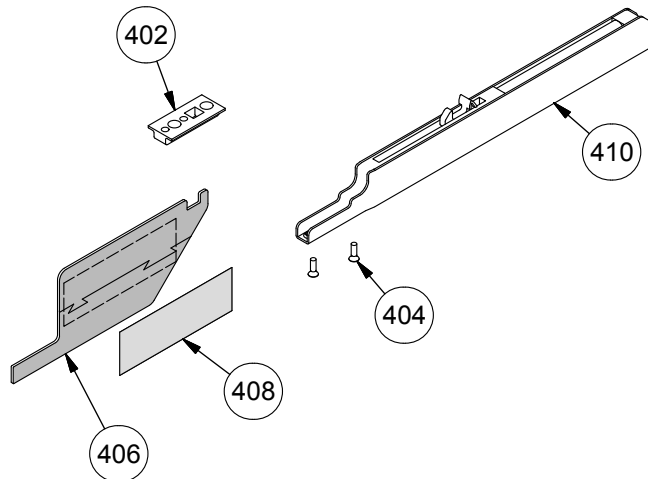
**USE THE BLOCKING SCREW TO INSERT THE UPPER
ARM INTO THE ROD SEATING**



ADJUSTING DOOR LEAF AND DOOR JAMB



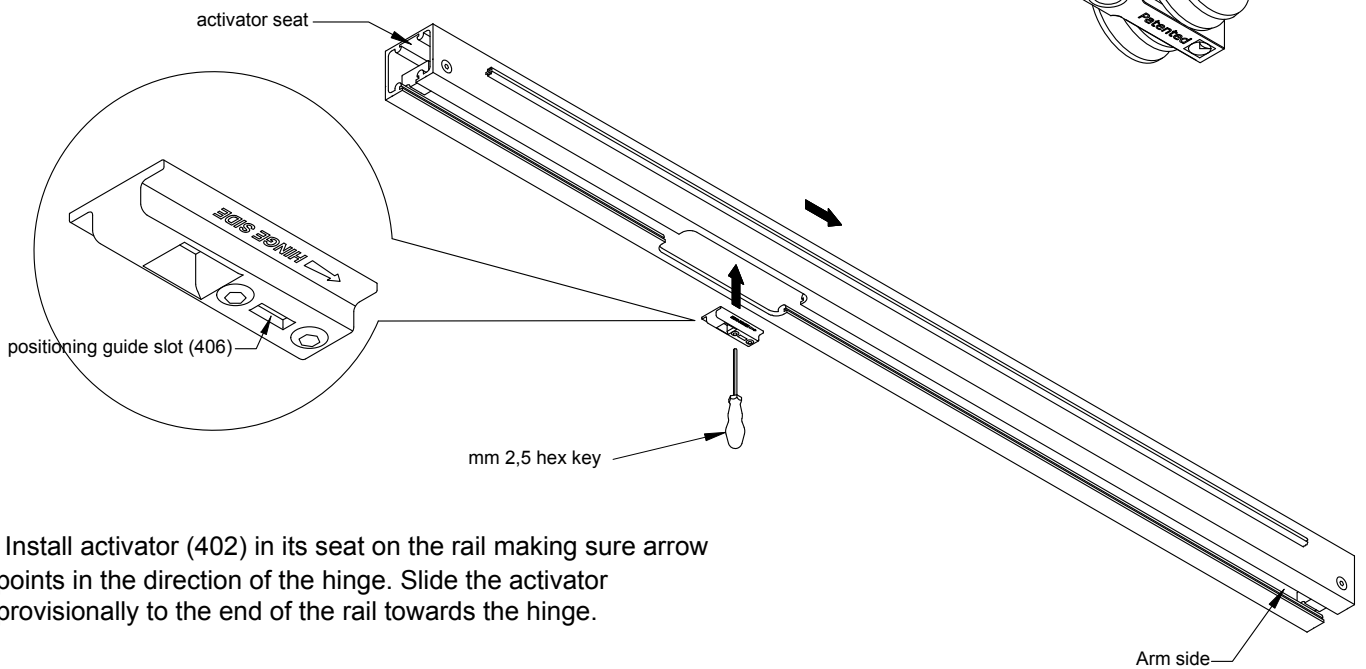
"SOFT OPENING" INSTALLATION (OPTIONAL)



Parts list		
ref.	qty	Description
402	1	Activator
404	2	Screw TSP+ M3x8 - ISO 7046
406	1	Activator positioning template
408	1	Sticker
410	1	Soft Opening

Installation

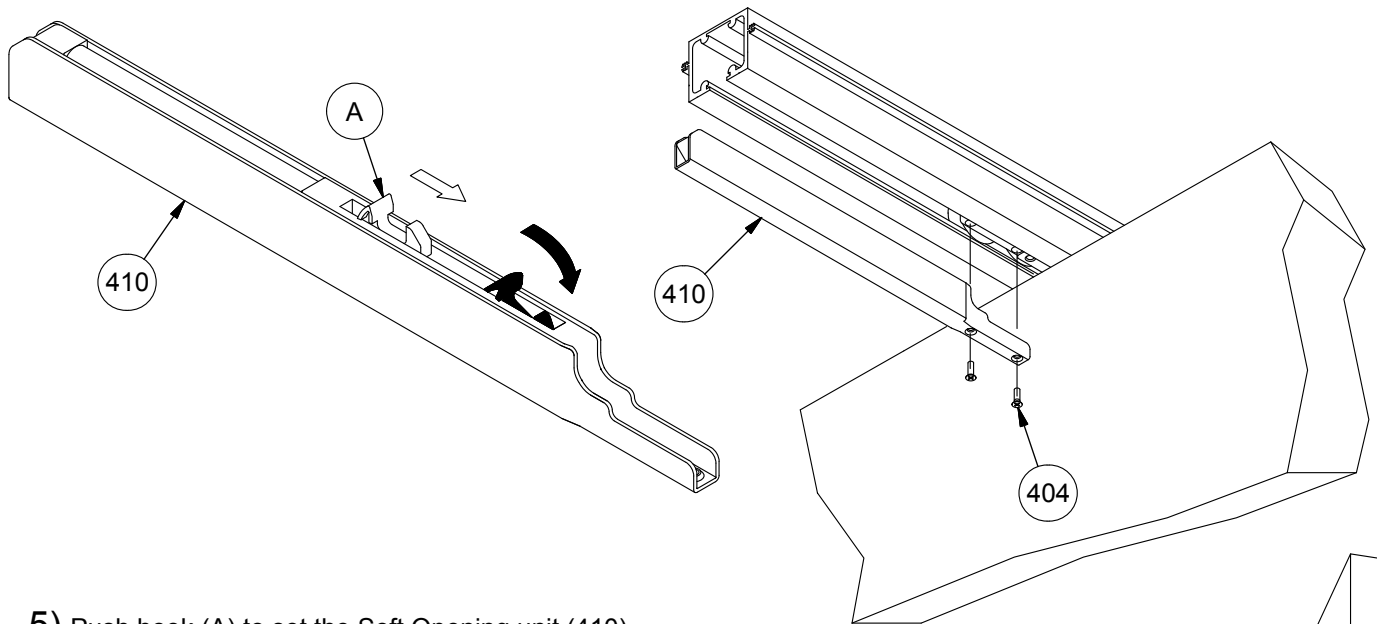
- 1) Assemble jambs and track and fix to wall.
- 2) Ensure that the wheel unit is equipped with Soft Opening mounting hole.



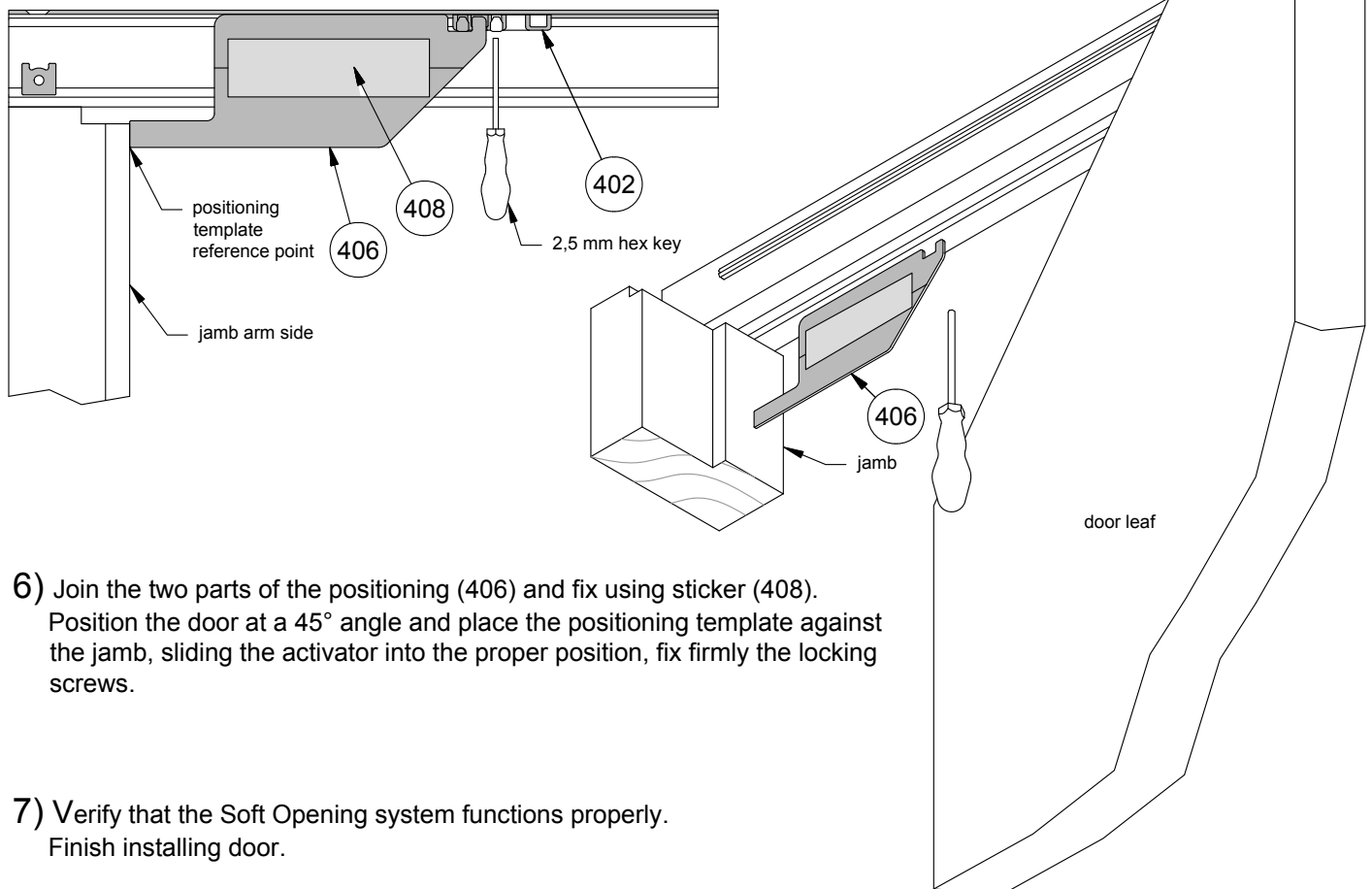
- 3) Install activator (402) in its seat on the rail making sure arrow points in the direction of the hinge. Slide the activator provisionally to the end of the rail towards the hinge.
- 4) Hang the door and mount the hinge arm. Adjust the door normally and open it all the way.

N.B. If the door is already installed, remove the track cover and then install the activator in its seat on the rail.

"SOFT OPENING" INSTALLATION (OPTIONAL)



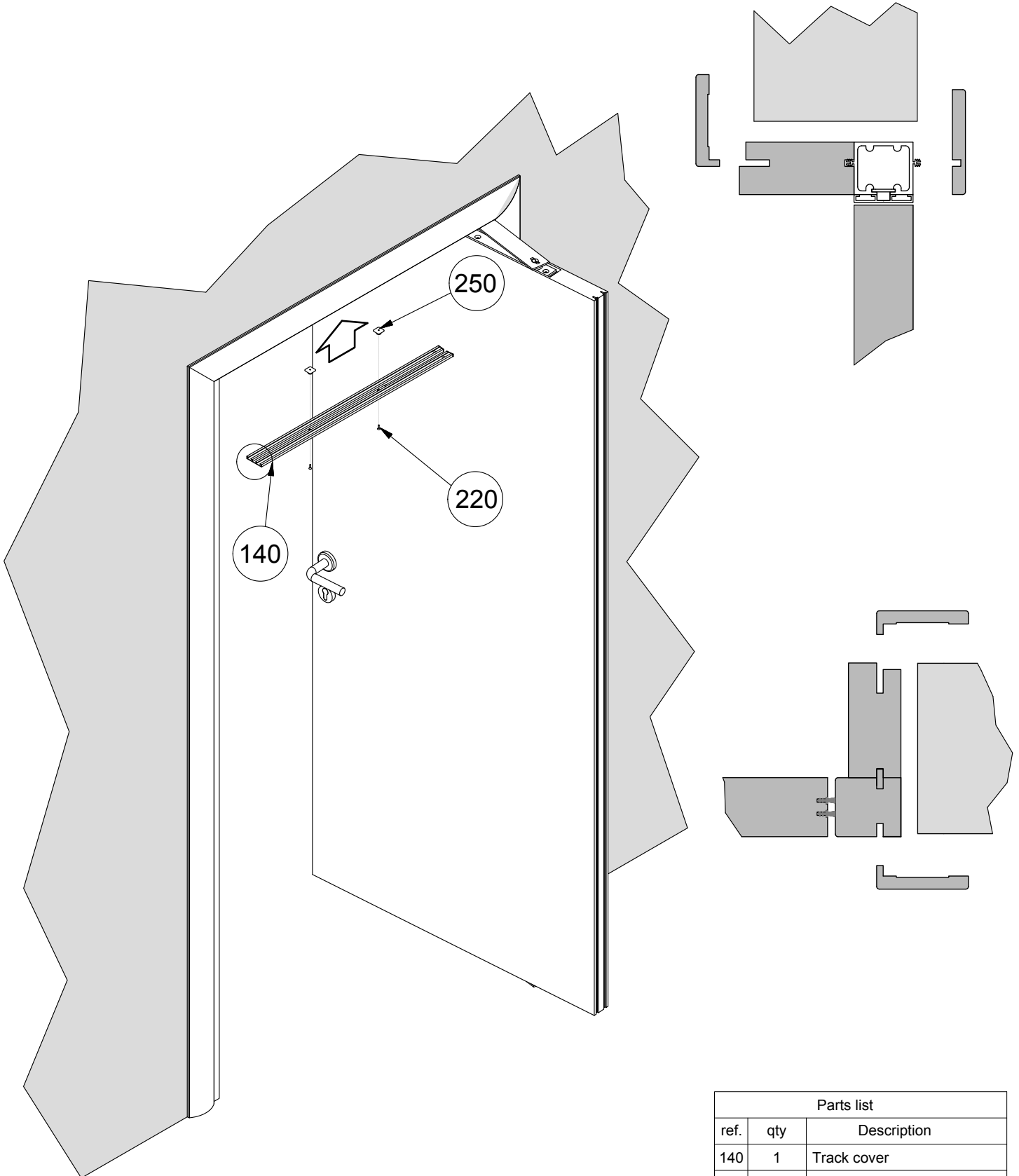
- 5) Push hook (A) to set the Soft Opening unit (410).
Mount Soft Opening unit to wheel unit using the screws provided (404).



- 6) Join the two parts of the positioning (406) and fix using sticker (408).
Position the door at a 45° angle and place the positioning template against the jamb, sliding the activator into the proper position, fix firmly the locking screws.
- 7) Verify that the Soft Opening system functions properly.
Finish installing door.

FRAMES AND TRACK COVER INSTALLATION

IF THE FRAME WITH DOORPOST IS USED (SEE THE FIGURE HERE BELOW), THE TRACK COVER MUST BE SHORTENED BY 20 mm ON THE SIDE MARKED WITH THE CIRCLE.



Parts list		
ref.	qty	Description
140	1	Track cover
220	2	Screw TSPcr Ø3x10
250	2	Insert for cover track fixing

The company reserved the right to make, at any time, without prior notice, all technical changes it considers appropriate to improve the quality and the correct functionality of the products.

*All contents of this manual are covered by copyright.
It's forbidden even partial reproduction of text and drawings, without prior written permission of Celegon s.r.l.. Any abuse will be prosecuted according to law.*



ERGON living® is an idea by CELEGON
30035 Mirano (Venezia) | Via G. Galilei, 6 - Z.I.
T +39 041 572 8404 | F +39 041 572 8522
www.ergon.eu | info@ergon.eu